

FASCO MOTORS MAY PROVIDE TECHNICAL ASSISTANCE TO OUR CUSTOMERS IN MANY AREAS. HOWEVER, SINCE FASCO MOTOR IS NOT AWARE OF ALL DATA CONCERNING THE USE AND APPLICATION OF THIS MOTOR, THE FITNESS OF THE MOTOR FOR THE APPLICATION MUST BE DETERMINED BY AND IS THE RESPONSIBILITY OF THE CUSTOMER.



MOTOR SPECIFICATION

8556LVA-A12S

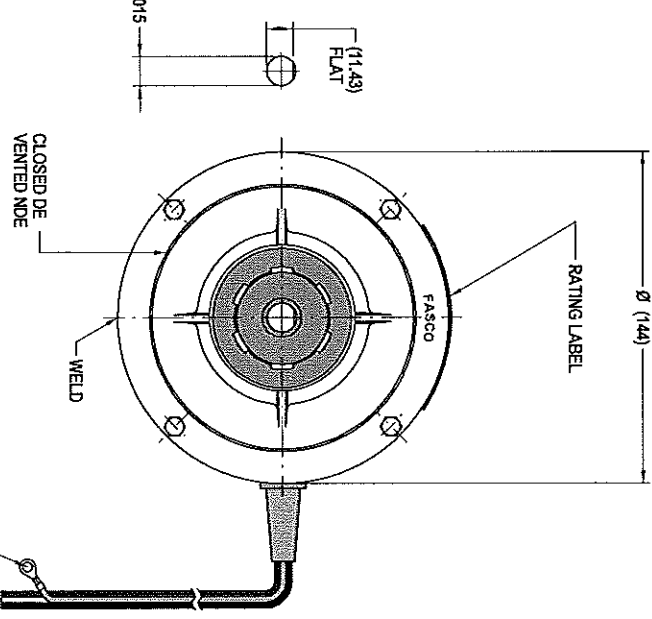
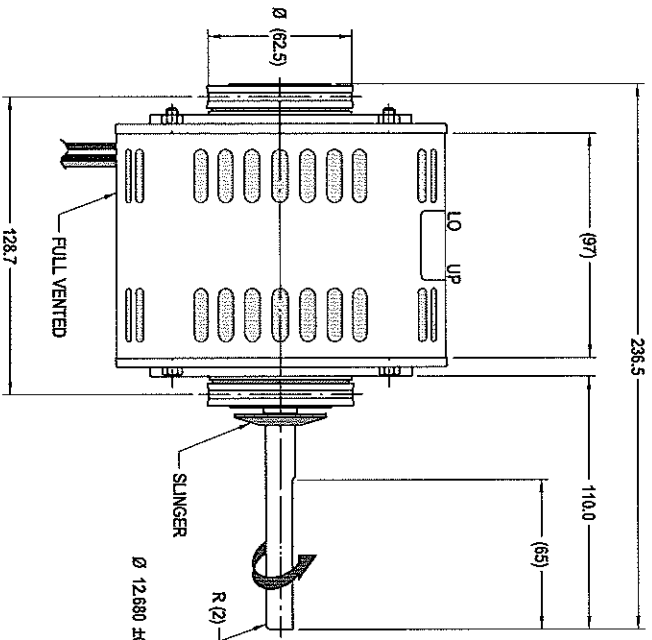
Q.R. No.	Y002210	CUSTOMER NO.	-
CUSTOMER	GENERAL		
VOLTS	220	Hz	50
Ph	1	Duty	S1 AOM
MOTOR RATING	900	RPM	1.44
AMP	1.44		
NOM OUTPUT	174 WATTS		
ROTATION	CLOCKWISE AT DRIVE END		
CAPACITOR START	µF/V	RUN	5/400
ENCLOSURE	VENTED		
MOTOR TYPE	PSC	INSULATION CLASS	B
THERMAL PROTECTION	AUTO RESET OVERLOAD		
APPLICATION	FAN CONDENSING - SHAFT HORIZONTAL		
BEARING D.E.	6202 ZZ	LUBRICATION	LONG LIFE, WIDE RANGE
BEARING N.D.E.	6202 ZZ		
SUPPLY LEAD	AS SHOWN		
EARTH PROVISION	SUPPLIED		
BASIC BUILD SPECIFICATION	305-570-34	PAINT/COLOUR	PC GREY PLAIN ESHIELDS
PERFORMANCE SPECIFICATION	SP85273-01		
CONNECTION DIAGRAM	CDC-001	RATING LABEL	AS SHOWN

FASCO
 MOD.8556LVA-A12S
 FEET:1-1/8"
 50±1P-16P/220V/1.40A/RTV/900
 167W/CPBM/RT/400V/1/5 Class B
 ND ddtmyxxxx
 FASCOMotors (Thailand) Limited

70.0
30.0

SPECIAL REQUIREMENTS:
 1) CAPACITOR SUPPLIED BY CUSTOMER.
 2) STAMP MODEL 'B1-1/8-B' UNDER MODEL '8556LVA-A12S' ON CARTON.

FINAL INSPECTED MOTORS MUST COMPLY WITH ELECTRIC MOTOR VIBRATION SPECIFICATION (ES049)



GROUND LEAD 18 AWG UL1015 @380±25
 (GREEN-YELLOW) WITH TERMINAL RING Ø5
 3 LEADS 18 AWG UL1015 @380±25
 (WHITE/BROWN/BLACK)

UNCONTROLLED COPY

UNLESS OTHERWISE SPECIFIED :
 DIMENSIONS ARE IN MM.
 TOLERANCES

DECIMALS	ANGULAR
X ± 1.0	± 30'
XX ± 0.1	

Motor weight: _____ kg.

DRAWN	NIT/HAD	02/04/04
CHECKED	PIP/PAT	04/05/04
RELEASED	JIT/WAT	07/06/04

SCALE: N.T.S.

FASCO THAILAND
 297-3 MOO 3, BANGGRUAY - SAKON RAI,
 BANGSRANG, MIANG NONTHABURI DISTRICT,
 NONTHABURI 11000 THAILAND

FRAME	MOTOR
STATUS	B273-8556V-174-KAB
SHEET	DWG. NO.
A3	8556LVA-A12S
REVISION	A

FASCO MOTORS MAY PROVIDE TECHNICAL ASSISTANCE TO OUR CUSTOMERS IN MANY AREAS. HOWEVER, SINCE FASCO MOTOR IS NOT AWARE OF ALL DATA CONCERNING THE USE AND APPLICATION OF THIS MOTOR, THE FITNESS OF THE MOTOR FOR THE APPLICATION MUST BE DETERMINED BY AND IS THE RESPONSIBILITY OF THE CUSTOMER.



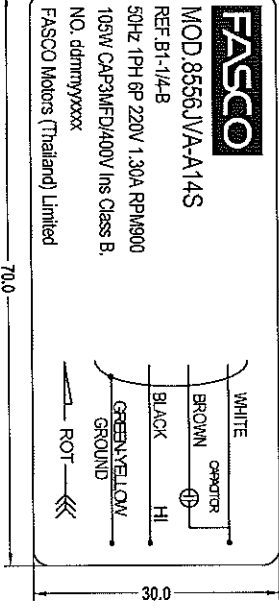
MOTOR SPECIFICATION

FINAL INSPECTED MOTORS MUST COMPLY WITH ELECTRIC MOTOR VIBRATION SPECIFICATION (ES049)

THIRD ANGLE PROJECTION

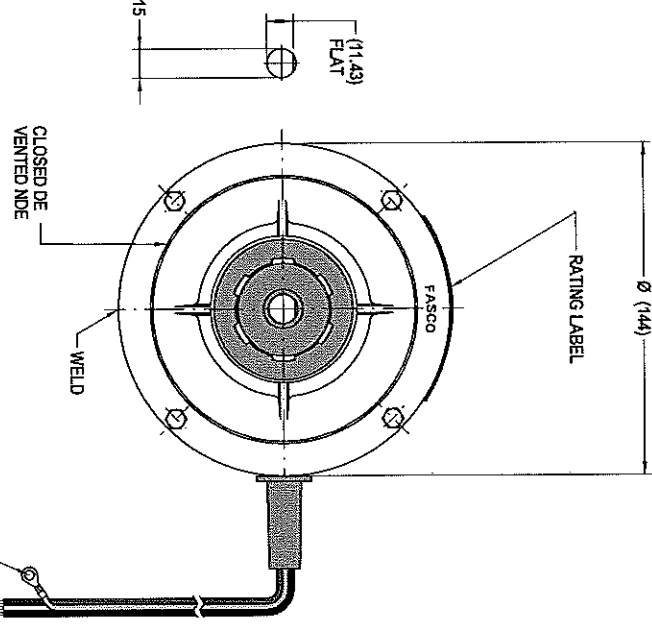
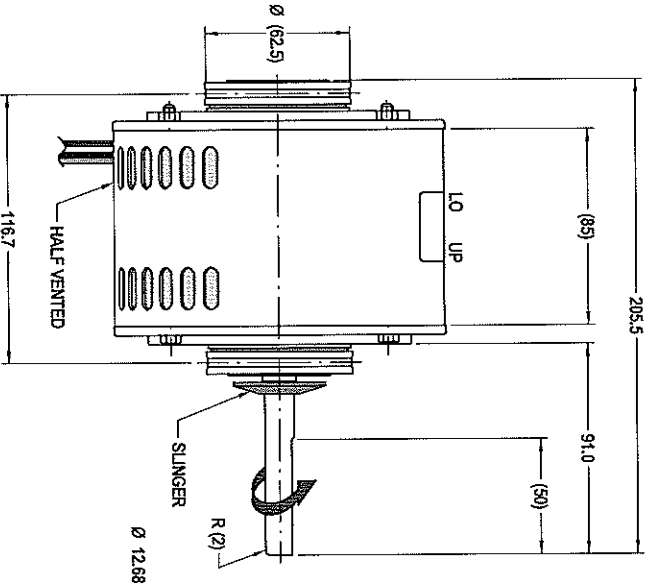
8556JVA-A14S

Q.R. No.	Y002209	CUSTOMER NO.	-
GENERAL			
CUSTOMER			
VOLTS	220	Hz	50
Ph	1	Duty	S1 AOM
MOTOR RATING	900	RPM	1.30
AMPS			
NOM. OUTPUT	105 WATTS		
ROTATION	CLOCKWISE AT DRIVE END		
CAPACITOR START	UF/V	RUN	3/400
ENCLOSURE	VENTED		
MOTOR TYPE	PSC	INSULATION CLASS	B
THEMAL PROTECTION	AUTO RESET OVERLOAD		
APPLICATION	FAN CONDENSING - SHAFT HORIZONTAL		
BEARING D.E.	6202 ZZ	LUBRICATION	LONG LIFE, WIDE RANGE
BEARING N.D.E.	6202 ZZ	AS SHOWN	
SUPPLY LEAD	AS SHOWN		
EARTH PROVISION	SUPPLIED		
BASIC BUILD SPECIFICATION	305-570-03	PAINT/ COLOUR	PC GREY PLAIN ESHIELDS
PERFORMANCE SPECIFICATION	SP85324-01	RATING LABEL	AS SHOWN
CONNECTION DIAGRAM	CDC-001		



SPECIAL REQUIREMENTS:

- CAPACITOR SUPPLIED LOOSED WITH MOTOR.
- STAMP MODEL "B1-1/4-B" UNDER MODEL "8556JVA-A14S" ON CARTON.



UNCONTROLLED

UNLESS OTHERWISE SPECIFIED:	MOTOR WEIGHT	kg.
DIMENSIONS ARE IN MM.		
TOLERANCES		
DECIMALS	± 0.1	
ANGULAR	± 30'	
DRAWN	NITHAD	09/06/04
CHECKED	PIPAT	17/07/04
RELEASED	JITWAT	19/07/04
SCALE	N.T.S.	

FASCO THAILAND
 297-9 MOO 3 BANGKRAJAV - SANGHOL RD.
 BANGKRAJAV, MIANG KONGTHANBURG DISTRICT,
 NONGTHABURI 11000 THAILAND

FRAME	MOTOR
STATUS	B324:8556V-105-KAB
SHEET	DWG. NO. 8556JVA-A14S
A3	REVISION A

FASCO MOTORS MAY PROVIDE TECHNICAL ASSISTANCE TO OUR CUSTOMERS IN MANY AREAS. HOWEVER, SINCE FASCO MOTOR IS NOT AWARE OF ALL DATA CONCERNING THE USE AND APPLICATION OF THIS MOTOR, THE FITNESS OF THE MOTOR FOR THE APPLICATION MUST BE DETERMINED BY AND IS THE RESPONSIBILITY OF THE CUSTOMER.



V18

MOTOR SPECIFICATION

FINAL INSPECTED MOTORS MUST COMPLY WITH ELECTRIC MOTOR VIBRATION SPECIFICATION (ES049)

THIRD ANGLE PROJECTION

8557MVA-A17S

Q.R. NO.	Y002208	CUSTOMER NO.	-
GENERAL			
CUSTOMER			
VOLTS	220	Hz	50/60
Ph	1	Duty	S1 AOM
MOTOR RATING	900/3SP,950		1.96 / 2.78
NOM. OUTPUT	254 / 293 WATTS		
ROTATION	CLOCKWISE AT DRIVE END		
CAPACITOR	START	J/F/V/ RUN	7.5/400
ENCLOSURE	VENTED		
MOTOR TYPE	PSC	INSULATION CLASS	B
THERMAL PROTECTION	AUTO RESET OVERLOAD		
APPLICATION	FAN AXIAL - SHAFT HORIZONTAL		
BEARING D.E.	6202 ZZ	LUBRICATION	LONG LIFE, WIDE RANGE
BEARING N.D.E.	6202 ZZ		
SUPPLY LEAD	AS SHOWN		
EARTH PROVISION	SUPPLIED		
BASIC BUILD SPECIFICATION	305-570-41	PAINT/ COLOUR	PC GREY
PERFORMANCE SPECIFICATION	SP85299-01,-02	RATING LABEL	PLAIN E/SHIELDS
CONNECTION DIAGRAM	CDF-039		AS SHOWN

FASCO **RoHS**

MOD.8557MVA-A17S

REF B1-1/3-B

50/60Hz 1Ph 6P 220V 1.96A RPM900/3SP

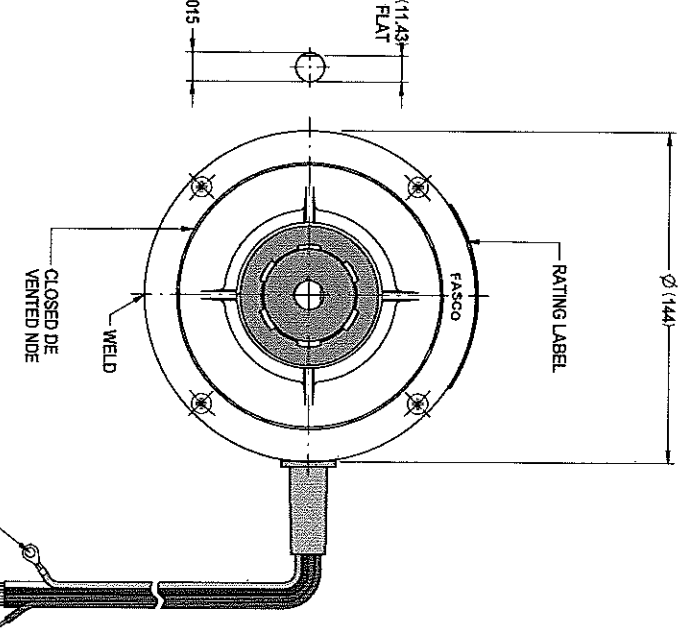
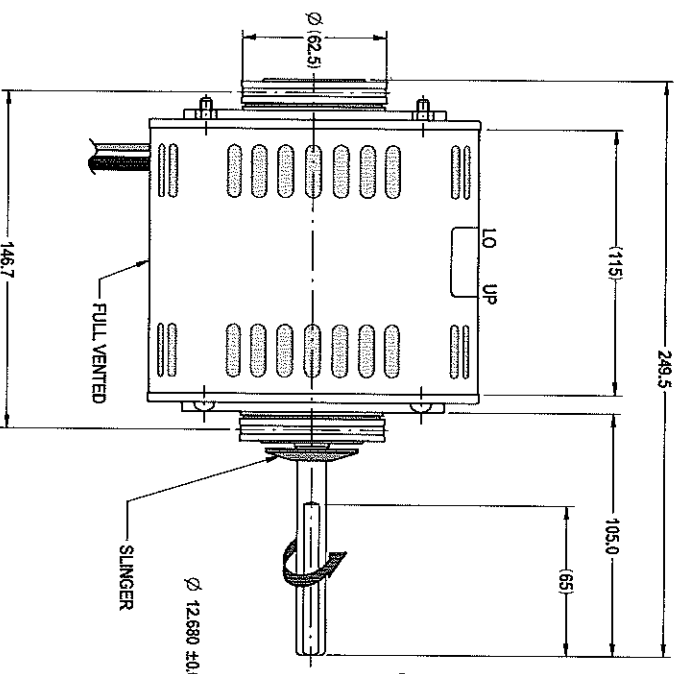
254W CAP7.5MFD/400V Ins Class B.

NO. ddmmyxxxx

FASCO Motors (Thailand) Limited.

SPECIAL REQUIREMENTS:
 1) CAPACITOR SUPPLIED BY CUSTOMER
 2) STAMP MODEL "B1-1/3-B" UNDER MODEL "8557MVA-A17S" ON CARTON.

FOUR004 Rev.A



GROUND LEAD 18 AWG UL1015 @1550-25 (GREEN/YELLOW) WITH TERMINAL RING Ø5

5 LEADS 18 AWG UL1015 @1550-25 (WHITE / BROWN / BLACK / BLUE / RED)

UNCONTROLLED COPY

UNLESS OTHERWISE SPECIFIED:

DIMENSIONS ARE IN MM.	
TOLERANCES	
DECIMALS	ANGULAR
X ± 1.0	± 30°
XX ± 0.1	

MOTOR WEIGHT		6.2	kg	
DRAWN	NITHAD	18/05/04		
CHECKED	PIPAT	19/08/06		
RELEASED	JITVAT	21/08/06		
SCALE	N.T.S.			

FASCO THAILAND

287/4 MOO 3 BANGKRAU - SAO MI BANGKRAU, MIKANG NONGHABUR DISTRICT, NONGHABURI 11000 THAILAND

FRAME STATUS	R	DWG. NO.	B299:8557V-254-KAB
SHEET	A3	REVISION	C
MOTOR		8557MVA-A17S	

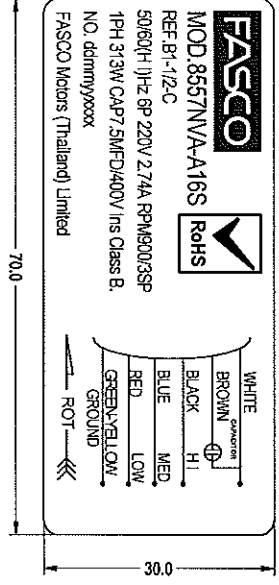
FASCO MOTORS MAY PROVIDE TECHNICAL ASSISTANCE TO OUR CUSTOMERS IN MANY AREAS. HOWEVER, SINCE FASCO MOTOR IS NOT AWARE OF ALL DATA CONCERNING THE USE AND APPLICATION OF THIS MOTOR, THE FITNESS OF THE MOTOR FOR THE APPLICATION MUST BE DETERMINED BY AND IS THE RESPONSIBILITY OF THE CUSTOMER.



MOTOR SPECIFICATION

8557NVA-A16S

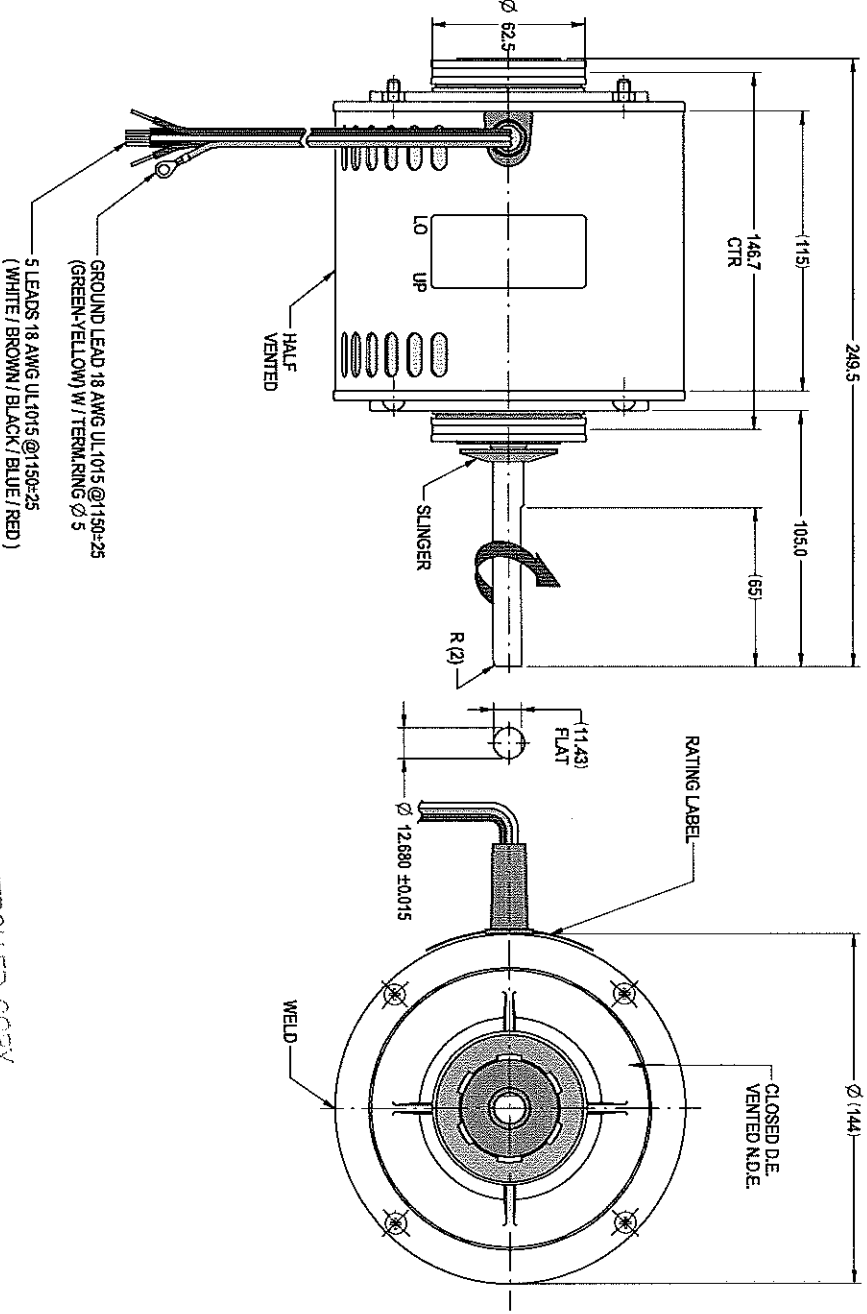
Q.R. NO.	Y002328	CUSTOMER NO.	-
CUSTOMER	GENERAL		
VOLTS	220	Hz	50/60
Ph	1	Day	S1 A.O.M.
MOTOR RATING	900/3SP,950	2.74 / 4.03	AMPS
NOM. OUTPUT	313 / 388 WATTS		
ROTATION	CLOCKWISE AT DRIVE END		
CAPACITOR	START	IF/V	RUN
ENCLOSURE	VENTED		
MOTOR TYPE	PSC	INSULATION CLASS	B
THEMAL PROTECTION	AUTO RESET OVERLOAD		
APPLICATION	FAN CENTRIFUGAL - SHAFT HORIZONTAL		
BEARING D.E.	6202 ZZ	LUBRICATION	LONG LIFE, WIDE RANGE
BEARING N.D.E.	6202 ZZ	AS SHOWN	
SUPPLY LEAD	AS SHOWN		
EARTH PROVISION	SUPPLIED		
BASIC BUILD SPECIFICATION	305-570-41	PAINT/ COLOUR	PC GREY PLAIN ESHIELDS
PERFORMANCE SPECIFICATION	SP85248-01,-02	RATING LABEL	AS SHOWN
CONNECTION DIAGRAM	CDF-039		



SPECIAL REQUIREMENTS:
 1) CAPACITOR SUPPLIED BY CUSTOMER.
 2) STAMP MODEL "B1-1/2-C" UNDER MODEL "8557NVA-A16S" ON CARTON.

FOE0041 Rev.A

FINAL INSPECTED MOTORS MUST COMPLY WITH ELECTRIC MOTOR VIBRATION SPECIFICATION (ES049)



UNCONTROLLED COPY

UNLESS OTHERWISE SPECIFIED: DIMENSIONS ARE IN MM. TOLERANCES: DECIMALS ± 0.10, ANGULAR ± 30'. MOTOR WEIGHT: 7.8 Kg.

DRAWN	NITHAD	12/06/04
CHECKED	PIPAT	19/08/06
RELEASED	JITWAT	21/08/06
SCALE	N.T.S.	

FASCO THAILAND
 257-4 MOD.3, BANGKOKUAY - SANDI RL,
 BANGKANG, NUAENG NONGTHABURI DISTRICT,
 NONGTHABURI 11000 THAILAND

FRAME STATUS	R	MOTOR	B248:8557V-313-KAB
SHEET	A3	DWG. NO.	8557NVA-A16S
REVISION	C		

MIC No. 010069 By: MUNTANA Date: 19/08/06 MIC PUT 'ROHS' ON NAMEPLATE

FASCO MOTORS MAY PROVIDE TECHNICAL ASSISTANCE TO OUR CUSTOMERS IN MANY AREAS. HOWEVER, SINCE FASCO MOTOR IS NOT AWARE OF ALL DATA CONCERNING THE USE AND APPLICATION OF THIS MOTOR, THE FITNESS OF THE MOTOR FOR THE APPLICATION MUST BE DETERMINED BY AND IS THE RESPONSIBILITY OF THE CUSTOMER.

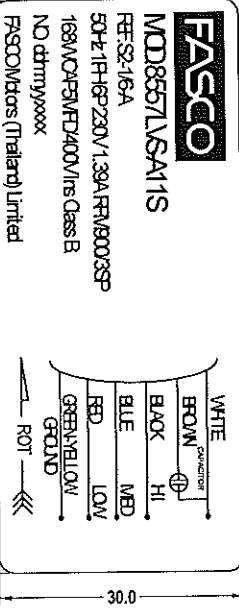


THIRD ANGLE PROJECTION

MOTOR SPECIFICATION

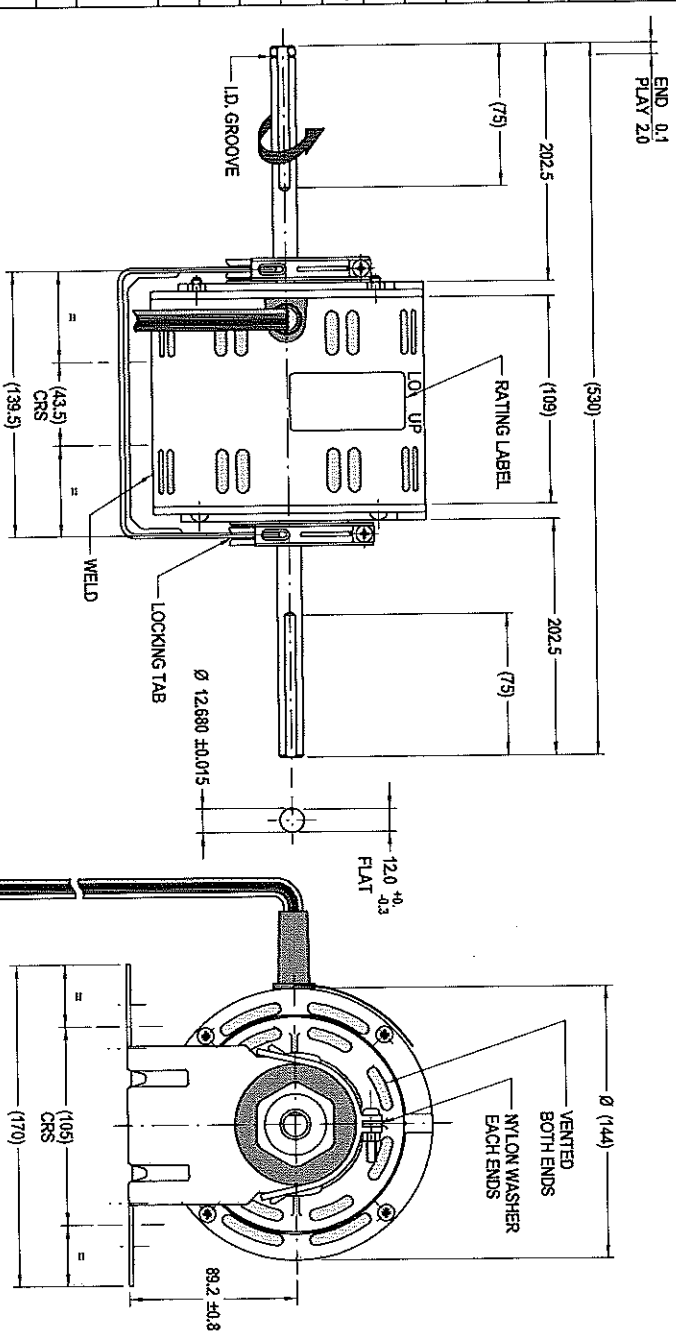
8557LVS-A11S

Q.R. No.	Y002220	CUSTOMER NO.	-
CUSTOMER	GENERAL		
VOLTS	230	Hz	50
Ph	1	Duty	S1 A.O.M.
RRM	900/3SP		1.39
AMPS			
MOTOR RATING	168 WATTS		
NO.M. OUTPUT	ANTI CLOCKWISE AT LEAD END		
ROTATION	ANTI CLOCKWISE AT LEAD END		
CAPACITOR START	UF/V	RUN	5/400
UF/V			
ENCLOSURE	VENTED		
MOTOR TYPE	CSR	INSULATION CLASS	B130
THERMAL PROTECTION	AUTO RESET OVERLOAD		
APPLICATION	FAN COIL UNIT - SHAFT HORIZONTAL		
BEARING B.E.	SLEEVE	LUBRICATION	PERMAWICK OPERA TEMP -15°~90° C
BEARING N.D.E.	SLEEVE		
SUPPLY LEAD	AS SHOWN		
EARTH PROVISION	SUPPLIED		
BASIC BUILD SPECIFICATION	305-742-07	PAINT/ COLOUR	PC GREY PLAIN E/SHIELDS
PERFORMANCE SPECIFICATION	SP85278-01	RATING LABEL	AS SHOWN
CONNECTION DIAGRAM	CDF-039		



SPECIAL REQUIREMENTS:
 1) CAPACITOR SUPPLIED LOOSE WITH MOTOR.
 2) STAMP MODEL "S2-16-A" UNDER MODEL "8557LVS-A11S" ON CARTON.

FINAL INSPECTED MOTORS MUST COMPLY WITH ELECTRIC MOTOR VIBRATION SPECIFICATION (E9049)



GROUND LEAD 18 AWG UL1015 @1150±25 (GREEN/YELLOW) WITH TERMINAL RING Ø5.0
 5 LEADS 18 AWG UL1015 @1150±25 (WHITE/ BROWN / BLACK / BLUE / RED)

UNCONTROLLED COPY

UNLESS OTHERWISE SPECIFIED : DIMENSIONS ARE IN MM.

TOLERANCES	ANGULAR	kg
DECIMALS ± 0.1	± 30°	
XX ± 0.1		

DRAWN	NITTHAD	04/04/04
CHECKED	PIPAT	27/04/04
RELEASED	JITWAT	03/05/04

FRAME STATUS	MOTOR
SHEET	
DWG. NO.	S278-8557V-168-GDC
REVISION	

THIS DRAWING REMAINS THE PROPERTY OF FASCO MOTORS AND MAY NOT BE USED, COPIED OR ISSUED WITHOUT WRITTEN PERMISSION FROM FASCO MOTORS

SCALE	N.T.S.
-------	--------

DATE	04/04/04
BY	PIPAT
CHECKED	JITWAT

DATE	03/05/04
BY	JITWAT
CHECKED	PIPAT

DATE	03/05/04
BY	JITWAT
CHECKED	PIPAT



287/8 MOO 3 BANGKRUAN - SAMO RD.,
 BANGKANG, MIANG NONTHABURI DISTRICT,
 NONTHABURI 11000 THAILAND

FASCO MOTORS MAY PROVIDE TECHNICAL ASSISTANCE TO OUR CUSTOMERS IN MANY AREAS. HOWEVER, SINCE FASCO MOTOR IS NOT AWARE OF ALL DATA CONCERNING THE USE AND APPLICATION OF THIS MOTOR, THE FITNESS OF THE MOTOR FOR THE APPLICATION MUST BE DETERMINED BY AND IS THE RESPONSIBILITY OF THE CUSTOMER.



THIRD ANGLE PROJECTION

MOTOR SPECIFICATION

8557KVS-A11S

Q.R. No.	Y002219	CUSTOMER NO.	-
CUSTOMER	GENERAL		
VOLTS	220	Hz	50
PH	1	Duty	S1 A.O.M.
MOTOR RATING	900/3SP	1.46	AMPS
NOM. OUTPUT	155 WATTS		
ROTAION	ANTI CLOCKWISE AT LEAD END		
CAPACITOR	START	UF/V	RUN
ENCLOSURE	VENTED		
MOTOR TYPE	CSR	INSULATION CLASS	B130
THEMAL PROTECTION	AUTO RESET OVERLOAD		
APPLICATION	FAN COIL UNIT - SHAFT HORIZONTAL		
BEARING D.E.	SLEEVE	LUBRICATION	PERMAMWICK OPERA.TEMP -15°-90° C
BEARING N.D.E.	SLEEVE	AS SHOWN	
SUPPLY LEAD	SUPPLIED		
EARTH PROVISION	AS SHOWN		
BASIC BUILD SPECIFICATION	305-742-07	PAINT/ COLOUR	PC GREY PLAIN ESHIELDS
PERFORMANCE SPECIFICATION	SP85277-01	CONNECTION DIAGRAM	CDF-039

FASCO

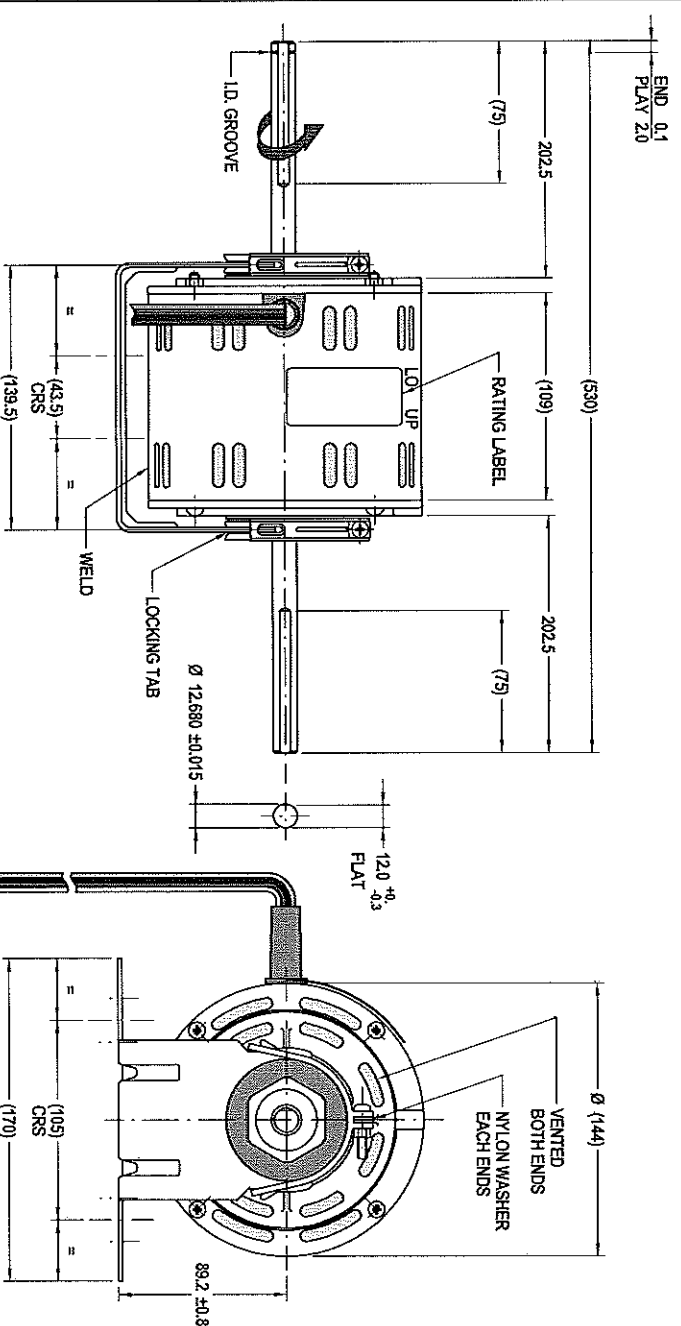
MOD.8557KVS-A11S
 REF.S2-1/4-C
 50Hz-1PH 6P 220V 1.46A RPM900/3SP
 155W CAPPMFD/400V/Ins Class B.
 NO. ddmmmyxxxx
 FASCO Motors (Thailand) Limited

70.0

SPECIAL REQUIREMENTS:

- CAPACITOR SUPPLIED BY CUSTOMER.
- STAMP MODEL "S2-1/4-C" UNDER MODEL "8557KVS-A11S" ON CARTON.

FINAL INSPECTED MOTORS MUST COMPLY WITH ELECTRIC MOTOR VIBRATION SPECIFICATION (ES049)



GROUND LEAD 18 AWG UL1015 @1150R25
 (GREEN/YELLOW) WITH TERMINAL RING Ø5.0

5 LEADS 18 AWG UL1015 @1150R25
 (WHITE / BROWN / BLACK/ BLUE / RED)

UNCONTROLLED COPY

UNLESS OTHERWISE SPECIFIED : DIMENSIONS ARE IN MM TOLERANCES

DECIMALS	ANGULAR
X ± 1.0	± 30'
XX ± 0.1	

MOTOR WEIGHT	
DRAWN	NITRAD
CHECKED	PIPAT
RELEASED	JITWAT
SCALE	N.T.S.

FASCO THAILAND

297/4 MOD 3 BANGKOK - SAUNDI RD.
 BANGKANG, MALANG NONGTHABURI DISTRICT,
 NONGTHABURI 11000 THAILAND

FRAME STATUS SHEET	MOTOR	REVISION
R	S277:8557V-155-GDB	A
A3	8557KVS-A11S	

MIC No. 008090
 BY: NITRAD Date: 27/04/04
 MIC NEW MODEL RELEASED Note: 27/04/04