

MODEL RL4588-SZ

220 - 240 Volt , 50 Hz , 1 Phase

● **Rated Performances**

at 220 Volt , 50 Hz

Capacity	490 W	(1673Btu/h)
Watt	405 W	
COP	1.21	
Current	2.10 A	

● **Rating Condition**

Evaporating Temperature	-23.3 °C	(-10°F)
Condensing Temperature	54.4 °C	(130°F)
Ambient Temperature	32.2 °C	(90°F)
Return Gas Temperature	32.2 °C	(90°F)
Liquid Temperature	32.2 °C	(90°F)

● **Application**

	Low Back Pressure(LBP)
Evaporating range	-30 ~ -5°C
Refrigerant	HFC-404A
Expansion	Capillary tube
Compressor Cooling	Fan Cooling

● **Compressor and Motor Data**

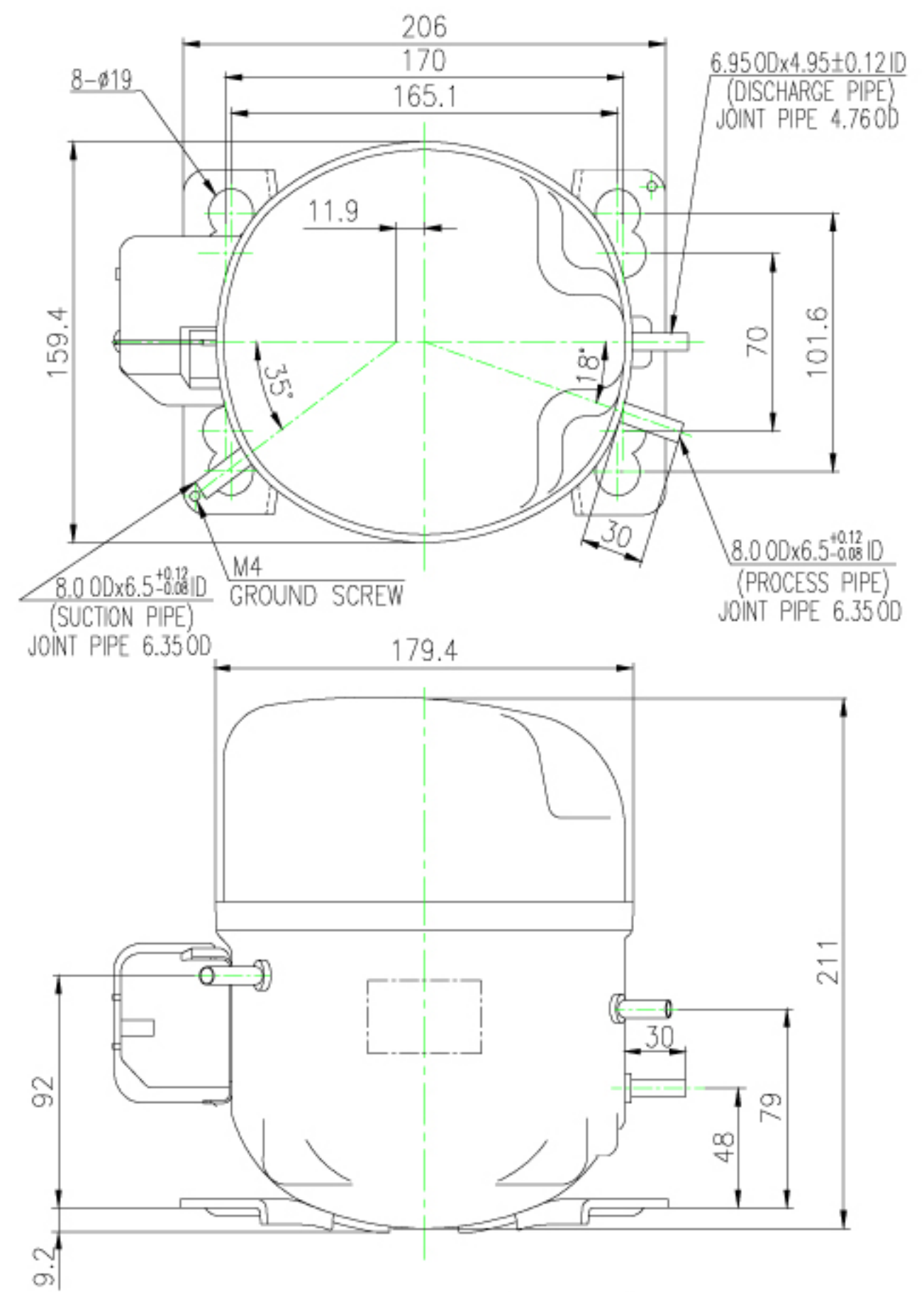
Compression Type	Reciprocating scotch yoke
Bore , Stroke	25 mm , 18 mm
Displacement	8.83 ml / rev.
Oil Type	SL-32D1
Oil charge	290 ml
Motor Type	Capacitor Start and Run (CSR)
Voltage Range	220-240 V -15%~+10% -50Hz
Locked Rotor Amp	14.2 A (220 V -50Hz)
Winding Resistance at 75°C (167°F)	
Main Coil	6.24 Ohm
Auxiliary Coil	11.4 Ohm
Weight with Oil	11.1 Kg

● **Electrical Components**

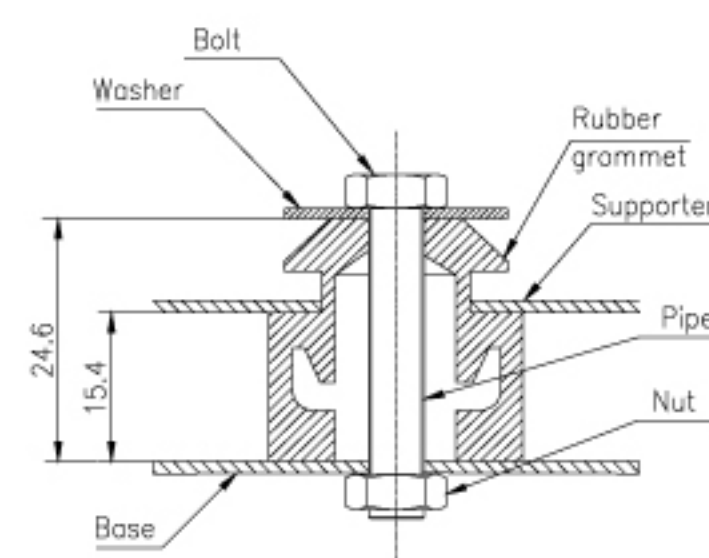
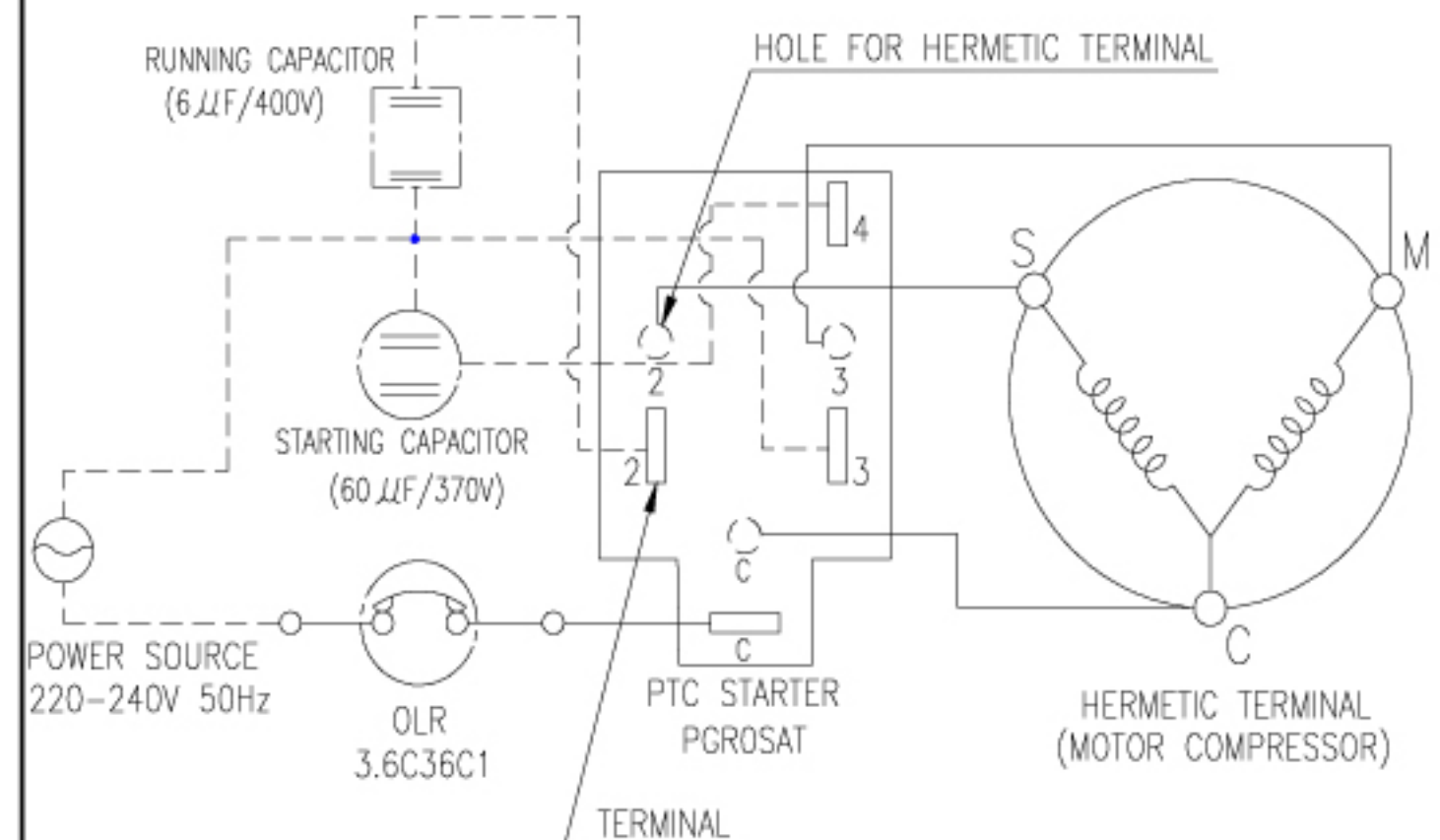
Overload Protector	
Type	External
Model Name	3.6C36C1
Open / Close	130 / 60 (°C)
PTC Starter	PGR0SAT
Resistance	33 Ohm
Voltage	355 Volt
Running Capacitor	
Capacity	6 Micro-Farad
Voltage	400 Volt
Starting Capacitor	
Capacity	60 Micro-Farad
Voltage	370 Volt
Terminal Cover	1TRR85055-A

● **Mountings**

R-Grommet	3TMGT1701-A
Pipe	3CYCT1930-A
Washer	3ZMCT0331-A



Hermetic terminal



Mountings

* Minimum order 1 pallet (80 pcs)