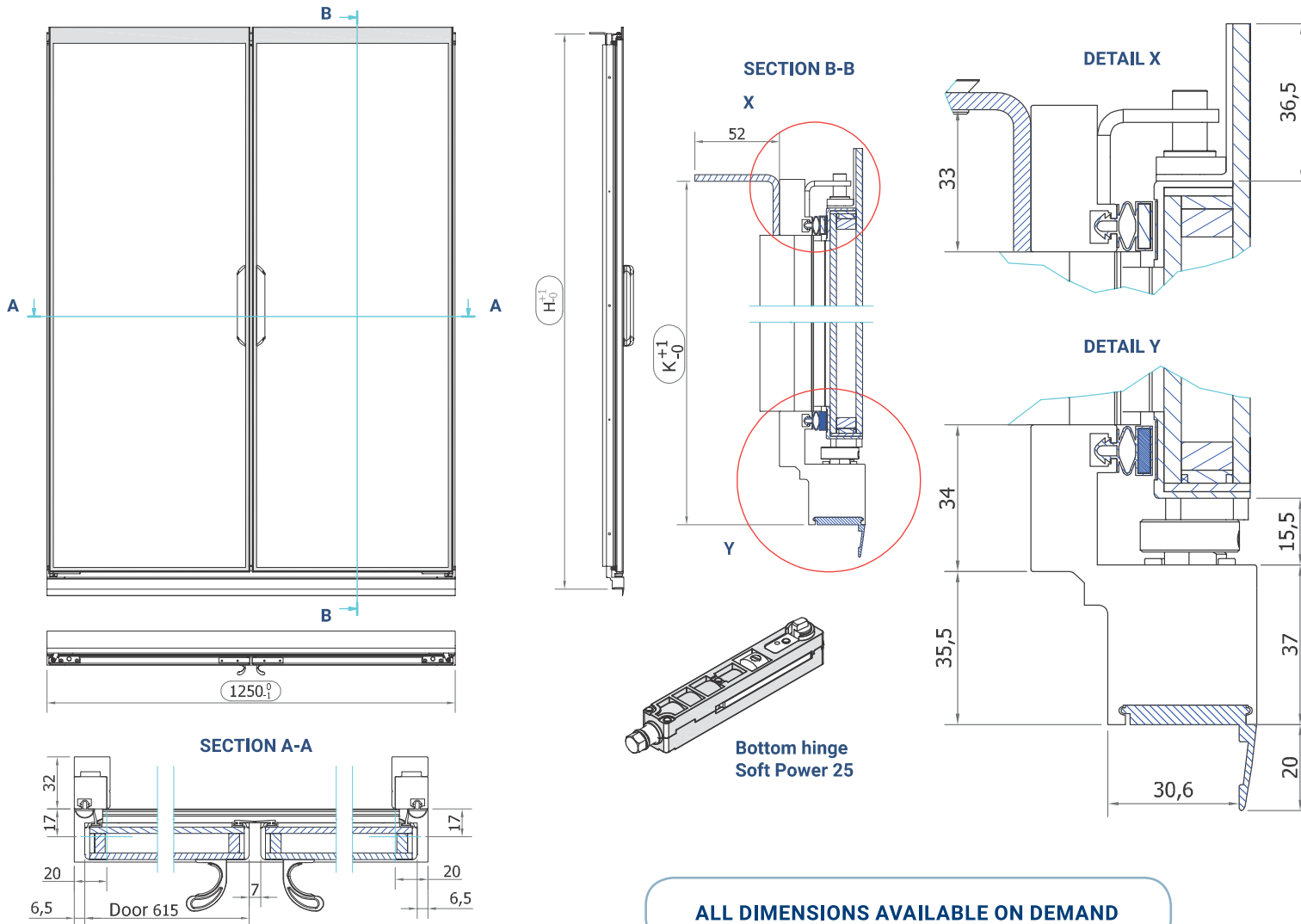


Pro-Vision with the door exceeding the frame on the top side, providing your cabinet of a unique full glass outlook



ALL DIMENSIONS AVAILABLE ON DEMAND

DOOR GLASS

Swing doors made of safety tempered double glazing glass complying with the UNI 12150 standard

Silk screened external glass layer

1.3 Ug Value insulated glass

80% Light transmission

98% colour rendering

FRAME

PVC supporting frame in reinforced aluminium, RAL 7035 or RAL 7015 PVC coloured frame

Modular concept: frames can be alternated according to any possible trunking of display cases

Led equipped or Led predisposed

Patented adjustable Soft Closing device

Maintenance free