

# Maxcool



## Refrigeration Condensing Units

Best Choice of The System

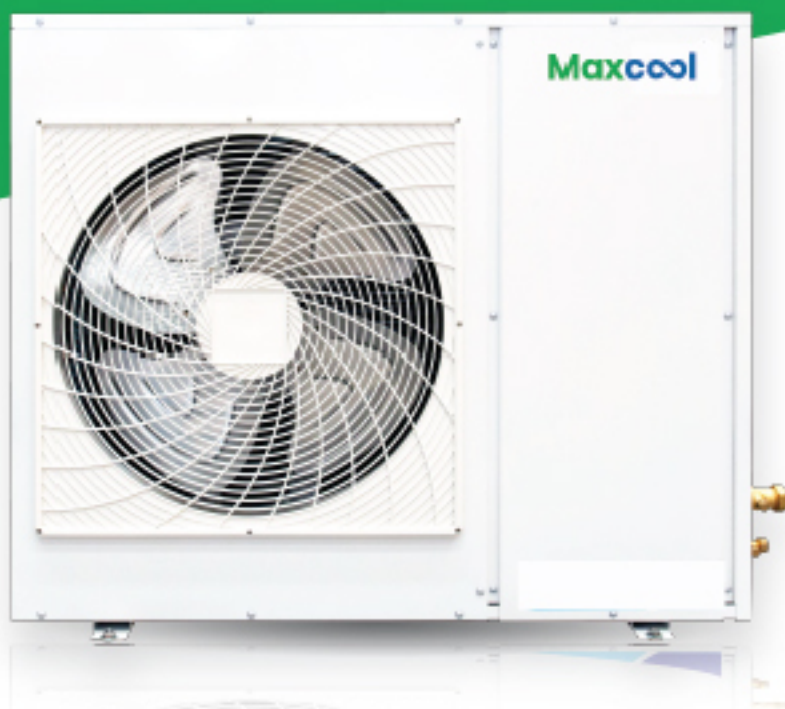


A Group Company of :



Your Refrigeration  
& Electrical Solutions





## MAXCOOL CONDENSING UNITS

deliver high energy efficiency, quality and reliability. The units cover broad range of configuration from 2 - 7.5 HP, specifically designed for low and medium temperature applications in refrigeration showcase and cold rooms.

### MODEL NOMENCLATURE

**0 ZB M - 0300 - S B 3**

1 2 3 4 5 6 7

- 1 **0** = Slim Type Out door Installation
- 2 **ZB** = Scroll Compressor  
**ZSI** = Scroll Compressor with Liquid Injection & CoreSense
- 3 **M** = Medium Temp Application  
**L** = Low Temp Application
- 4 **Nominal Horse power of Compressor**  
**0200** = 2 HP    **0250** = 2.5 HP    **0300** = 3 HP  
**0350** = 3.5 HP    **0400** = 4 HP    **0500** = 5 HP  
**0600** = 6 HP    **0750** = 7.5 HP
- 5 **S** = Single Fan    **D** = Double Fan
- 6 **A** = 1 Phase 220-240 Volts 50 Hz Or 1 Phase 265 Volts 60 Hz  
**B** = 3 Phase 380-420 Volts 50 Hz Or 3 Phase 460 Volts 60 Hz
- 7 **1** = R22    **2** = R134a    **3** = R404A / R507    **4** = R448 / R449



### ACCESSORIES BILL OF MATERIALS (BOM)

- 1) Scroll Compressor with sight glass
- 2) Air cooled condenser with External Rotor Fan
- 3) Liquid Receiver Tank
- 4) Oil separator
- 5) HP/LP pressure safety switch (Low Pressure auto Reset, High Pressure manual Reset)
- 6) HP/LP Gauge
- 7) Liquid Line Assemblies (Filter Drier , Sight Glass , Service Valve)
- 8) Slim Type Weather Proof Housing and Easy for services
- 9) Electrical equipments (Magnetic , External Overload )
- 10) Suction Accumulator **\*\*only OZSL series**
- 11) Coresense **\*\*only OZSL series**
- 12) Liquid Injection Valve **\*\*only OZSL series**
- 13) Discharge Temp. Sensor **\*\*only OZSL series**





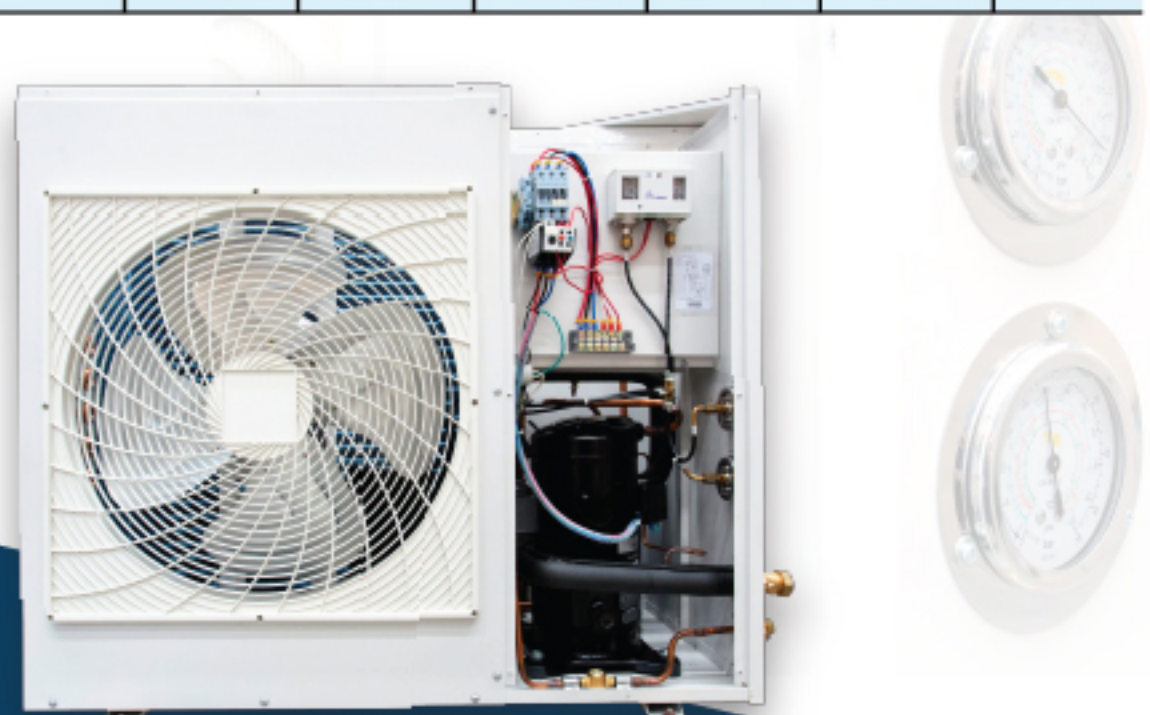
### COOLING CAPACITY SPECIFICATION

CONDENSING UNITS MODEL	CONDENSING Temp (c)	COOLING CAPACITY (WATTS) AT 50 Hz. REFRIGERANT R-404A								
		EVAPORATING TEMPERATURE (C)								
		-30	-25	-20	-15	-10	-5	0	5	10
OZBM-0200-SB3	30	-	-	2900	3550	4350	5250	6300	7450	8800
	40	-	-	2400	3000	3700	4450	5350	6350	7450
	50	-	-	1850	2400	2950	3600	4300	5150	6100
OZBM-0250-SB3	30	-	-	3600	4350	5300	6350	7550	8950	10500
	40	-	-	3100	3800	4600	5500	6550	7750	9150
	50	-	-	2550	3150	3800	4600	5450	6500	7650
OZBM-0300-SB3	30	-	-	4300	5250	6350	7600	9050	10750	12600
	40	-	-	3700	4550	5500	6600	7850	9300	10950
	50	-	-	3100	3750	4550	5500	6550	7750	9150
OZBM-0350-SB3	30	-	-	5000	6100	7400	8900	10600	12550	14750
	40	-	-	4350	5300	6400	7700	9200	10900	12800
	50	-	-	3600	4400	5300	6400	7650	9100	10700
OZBM-0400-DB3	30	-	-	5800	7100	8600	10300	12300	14550	17100
	40	-	-	5050	6150	7450	8950	10650	12600	14850
	50	-	-	4150	5100	6200	7450	8900	10550	12400
OZBM-0500-DB3	30	-	-	7350	8950	10850	13000	15500	18350	21550
	40	-	-	6350	7750	9400	11300	13450	15900	18700
	50	-	-	5250	6450	7800	9400	11200	13300	15650
OZBM-0600-DB3	30	-	-	8600	10500	12700	15250	18150	21500	25250
	40	-	-	7450	9100	11000	13200	15750	18650	21900
	50	-	-	6150	7550	9150	11000	13100	15550	18350
OZBM-0750-DB3	30	-	-	9450	11550	13950	16750	20000	23650	27800
	40	-	-	8150	10000	12100	14500	17300	20500	24100
	50	-	-	6750	8300	10050	12050	14400	17100	20150

\* Max return gas temperature of 18.3 C in non shaded region

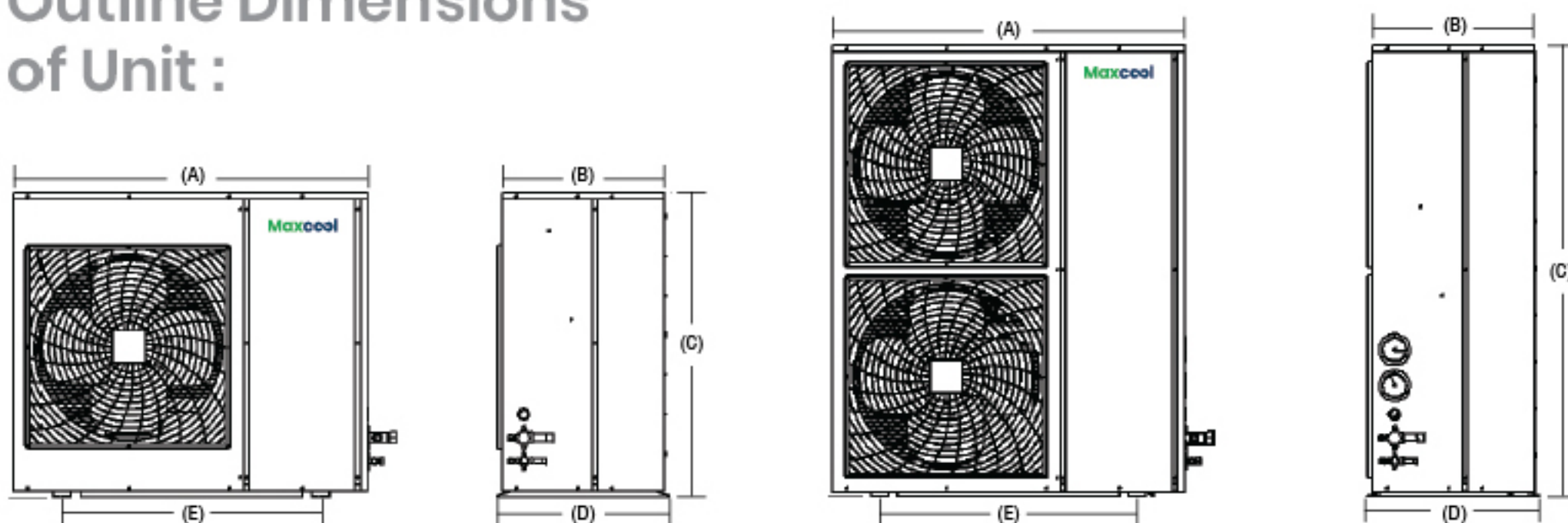
\* Max Suction superheat of 11K only in shaded region

\* Sub cooling OK





## Outline Dimensions of Unit :



### ELECTRICAL SPECIFICATION

CONDENSING UNITS MODEL	COMPRESSOR				CONDENSER FAN				COMPRESSOR MODEL
	HP	V/Ph/Hz	RLA	LRA	HP	V/Ph/Hz	AMPARE	FAN BLADE	
OZBM-0200-SB3	2.0	380/3/50	5.0	26.0	1/8	220/1/50	0.95	1 x 20"	ZB15KQE-TFD-558
OZBM-0250-SB3	2.5	380/3/50	5.0	32.0	1/8	220/1/50	0.95	1 x 20"	ZB19KQE-TFD-558
OZBM-0300-SB3	3.0	380/3/50	6.4	40.0	1/8	220/1/50	0.95	1 x 20"	ZB21KQE-TFD-558
OZBM-0350-SB3	3.5	380/3/50	7.4	46.0	1/8	220/1/50	0.95	1 x 20"	ZB26KQE-TFD-558
OZBM-0400-SB3	4.0	380/3/50	7.9	50.0	1/8	220/1/50	0.95	1 x 20"	ZB29KQE-TFD-558
OZBM-0500-DB3	5.0	380/3/50	9.6	65.5	2 x 1/8	220/1/50	1.9	2 x 20"	ZB38KQE-TFD-558
OZBM-0600-DB3	6.0	380/3/50	10.1	74.0	2 x 1/8	220/1/50	1.9	2 x 20"	ZB45KQE-TFD-558
OZBM-0750-DB3	7.5	380/3/50	13.6	101.0	2 x 1/8	220/1/50	1.9	2 x 20"	ZB48KQE-TFD-558

### PHYSICAL SPECIFICATION

CONDENSING UNITS MODEL	NOMINAL RATING (HP)	AIR FLOW (CFM)	OVERALL DIMENSION (MM)					REFRIGERANT CONNECTION (INCHES)			RECEIVER TANK 90% (Litrs)
			A	B	C	D	E	DISCHARGE	SUCTION	LIQUID	
OZBM-0200-SB3	2.0	2,500	980	450	839	480	718	1/2	3/4	3/8	4
OZBM-0250-SB3	2.5	2,500	980	450	839	480	718	1/2	3/4	3/8	4
OZBM-0300-SB3	3.0	2,500	980	450	839	480	718	1/2	3/4	1/2	4
OZBM-0350-SB3	3.5	2,500	980	450	839	480	718	1/2	3/4	1/2	6
OZBM-0400-SB3	4.0	2,500	980	450	839	480	718	1/2	3/4	1/2	6
OZBM-0500-DB3	5.0	5,000	980	450	1,249	480	718	1/2	7/8	1/2	6
OZBM-0600-DB3	6.0	5,000	980	450	1,249	480	718	1/2	7/8	1/2	6
OZBM-0750-DB3	7.5	5,000	980	450	1,249	480	718	1/2	7/8	1/2	8



### COOLING CAPACITY SPECIFICATION

CONDENSING UNITS MODEL	CONDENSING Temp (°C)	Cooling Capacity (Watts) at 50 Hz. Refrigerant R-404A								
		Evaporating Temperature (°C)								
		-30	-25	-20	-15	-10	-5	0	5	10
OZSL-0200-SB3	30	1900	2350	2900	3590	4400	5350	6450	7690	-
	40	1650	2050	2540	3130	3820	4630	5560	6620	-
	50	1330	1690	2110	2600	3180	3850	4620	5490	-
OZSL-0250-SB3	30	2380	2940	3620	4420	5360	6430	7630	8970	-
	40	2090	2570	3160	3860	4680	5610	6650	7830	-
	50	1710	2110	2590	3170	3850	4630	5510	6500	-
OZSL-0300-SB3	30	2760	3430	4210	5090	6120	7290	8630	10160	-
	40	2360	2960	3640	4410	5290	6300	7450	8760	-
	50	1800	2320	2900	3550	4290	5120	6080	7180	-
OZSL-0350-SB3	30	3180	4070	5040	6160	7450	8960	10740	12830	-
	40	2810	3590	4450	5410	6520	7840	9390	11230	-
	50	2420	3100	3820	4610	5540	6630	7945	9510	-
OZSL-0400-SB3	30	4150	5210	6460	7930	9640	11600	13830	16350	-
	40	3630	4550	5640	6920	8400	10110	12060	14260	-
	50	3070	3830	4730	5790	7020	8450	10080	11940	-
OZSL-0500-DB3	30	4580	5790	7150	8710	10550	12730	15320	18390	-
	40	4000	5110	6300	7650	9230	11110	13340	16010	-
	50	3540	4510	5520	6640	7930	9480	11340	13590	-
OZSL-0600-DB3	30	5830	7210	8850	10770	13010	15590	18540	21900	-
	40	5150	6370	7800	9470	11410	13640	16200	19120	-
	50	4380	5410	6620	8010	9630	11500	13650	16110	-
OZSL-0700-DB3	30	6490	7990	9810	11960	14460	17320	20560	24200	-
	40	5760	7090	8680	10550	12720	15190	18000	21160	-
	50	4910	6050	7390	8970	10780	12860	15210	17860	-

Note : Based on 18.3 c Return Gas , 0 K Subcooling

\*\* Accessories Bill of Materials (BOM) only OZSL Series \*\*

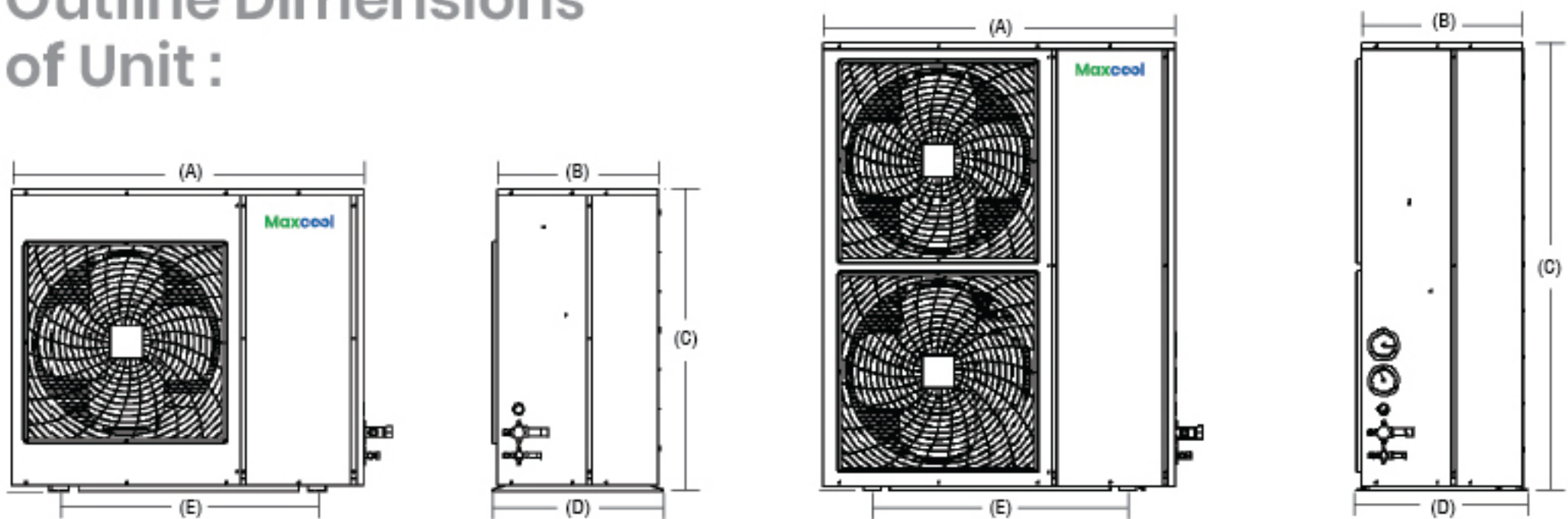
Suction Accumulator , Coresense ,

Liquid Injection Valve , Discharge Temp. Sensor





# Outline Dimensions of Unit :



## ELECTRICAL SPECIFICATION

CONDENSING UNITS MODEL	COMPRESSOR				CONDENSER FAN				COMPRESSOR MODEL
	HP	V/Ph/Hz	RLA	LRA	HP	V/Ph/Hz	AMPARE	FAN BLADE	
OZSL-0200-SB3	2.0	380/3/50	5.6	39.2	1/8	220/1/50	0.95	1 x 20"	ZSI06KQE-TFM-527
OZSL-0250-SB3	2.5	380/3/50	5.6	39.2	1/8	220/1/50	0.95	1 x 20"	ZSI08KQE-TFM-527
OZSL-0300-SB3	3.0	380/3/50	5.6	39.2	1/8	220/1/50	0.95	1 x 20"	ZSI09KQE-TFM-527
OZSL-0350-SB3	3.5	380/3/50	8.0	51.5	1/8	220/1/50	0.95	1 x 20"	ZSI11KQE-TFM-527
OZSL-0400-SB3	4.0	380/3/50	8.6	51.5	1/8	220/1/50	0.95	1 x 20"	ZSI14KQE-TFM-527
OZSL-0500-DB3	5.0	380/3/50	9.1	51.5	2 x 1/8	220/1/50	1.9	2 x 20"	ZSI15KQE-TFM-527
OZSL-0600-DB3	6.0	380/3/50	10.7	74.0	2 x 1/8	220/1/50	1.9	2 x 20"	ZSI18KQE-TFM-537
OZSL-0700-DB3	7.0	380/3/50	13.8	74.0	2 x 1/8	220/1/50	1.9	2 x 20"	ZSI21KQE-TFM-537

## PHYSICAL SPECIFICATION

CONDENSING UNITS MODEL	NOMINAL RATING (HP)	AIR FLOW (CFM)	OVERALL DIMENSION (MM)					REFRIGERANT CONNECTION (INCHES)			RECEIVER TANK 90% (Litrs)
			A	B	C	D	E	DISCHARGE	SUCTION	LIQUID	
OZSL-0200-SB3	2.0	2,500	980	450	839	480	718	1/2	3/4	3/8	4
OZSL-0250-SB3	2.5	2,500	980	450	839	480	718	1/2	3/4	3/8	4
OZSL-0300-SB3	3.0	2,500	980	450	839	480	718	1/2	3/4	1/2	4
OZSL-0350-SB3	3.5	2,500	980	450	839	480	718	1/2	3/4	1/2	6
OZSL-0400-SB3	4.0	2,500	980	450	839	480	718	1/2	3/4	1/2	6
OZSL-0500-DB3	5.0	5,000	980	450	1,249	480	718	1/2	7/8	1/2	6
OZSL-0600-DB3	6.0	5,000	980	450	1,249	480	718	1/2	7/8	1/2	6
OZSL-0700-DB3	7.0	5,000	980	450	1,249	480	718	1/2	7/8	1/2	8

