

Maxcool



Semi-Hermetic Refrigeration Condensing Units

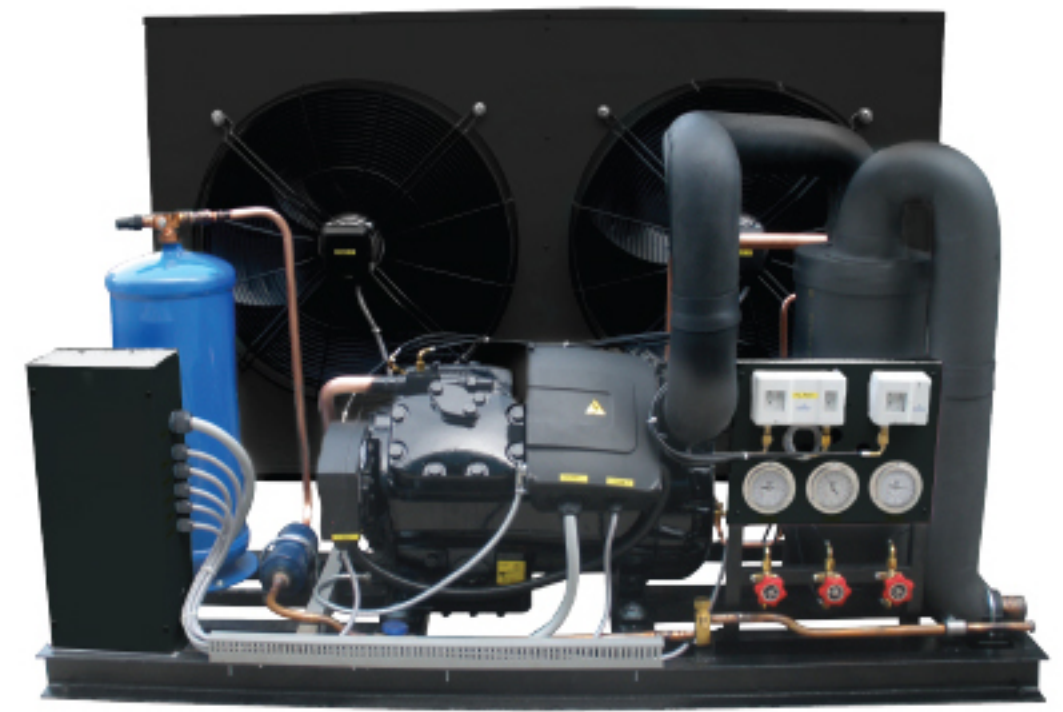
A Group Company of :



Your Refrigeration
& Electrical Solutions



Maxcool



Features :

Condensing units are designed to use in refrigeration application where a compact unit is required. Available applications include refrigeration showcase and cold rooms. The units are available from 13 through 50 horsepower configurations for high, medium and low temperature applications.



Nomenclature :

D M 2 - 1500 - A B 3

1 2 3 4 5 6 7

1 Compressor Type

S = Semi-Hermetic

D = Discus Stream Semi-Hermetic

2 Application

M = Medium Temperature

L = Low Temperature

3 Country of Origin of Compressor

1 = USA

2 = Europe

3 = Asia

4 Nominal Horse Power of Compressor

For example : 1500 = 15 HP

2000 = 20 HP

4000 = 40 HP

5 Type of Condenser

A = Air Cooled Condenser

W = Water Cooled Condenser

6 Electrical Voltage and power supply

A = Single Phase

B = Three Phase

7 Refrigerant Type

1 = R22

2 = R134A

3 = R404A / R507

4 = R407F

REFRIGERATION CONDENSING UNIT

Features Include :

1. Reliable and High Efficiency
Stream SEMI-HERMETIC Compressor
2. Coresense Diagnostics
3. Copper/Aluminum Condenser
with Protective Cover
4. Liquid Receiver Tank with Valve
5. Heavy Duty Axial Fan
6. Electric Box with Terminal & Pre-Wiring
7. Dual High/Low Pressure Control
8. Oil Separator
9. Liquid Line Assemblies
10. HP/LP/Oil Pressure Gauges with Valve
11. Check Valve
12. Pressure Relief Valve



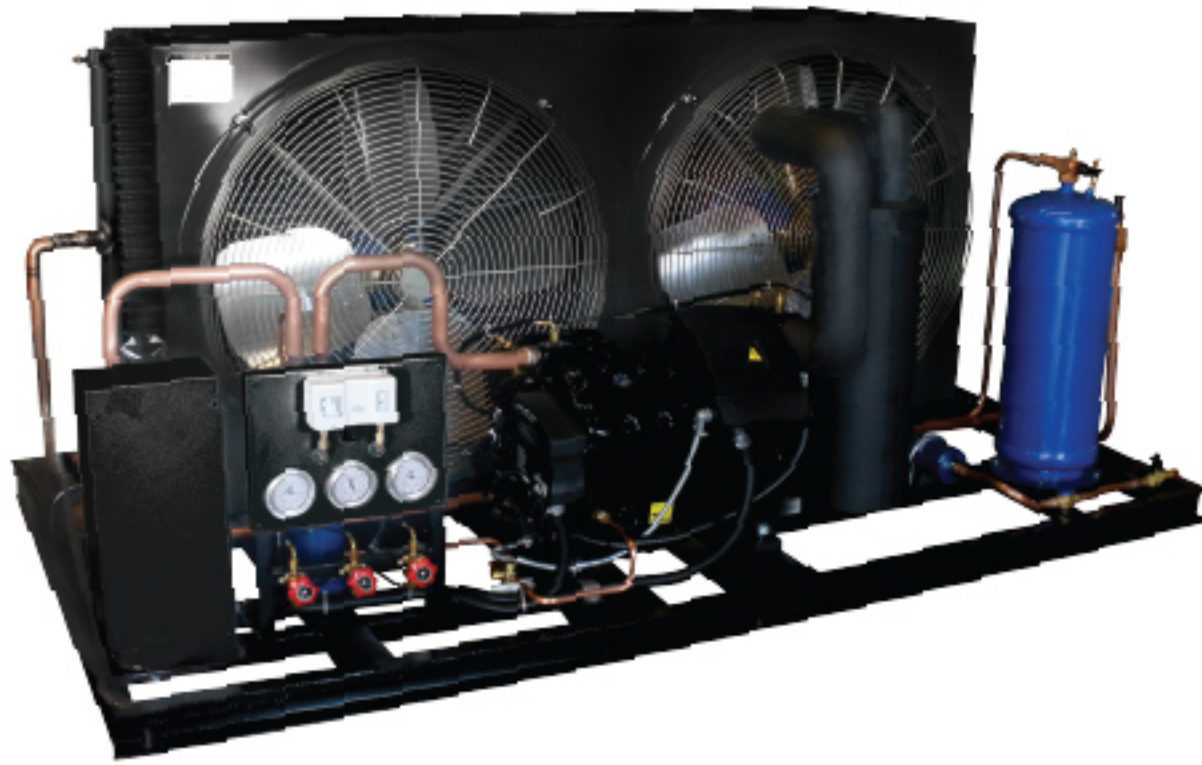
CONDENSING UNIT COOLING CAPACITY SPECIFICATION

CONDENSING UNIT MODEL	AMBIENT TEMPERATURE (°C)	CONDENSING TEMPERATURE (°C)	COOLING CAPACITY(KW), (50HZ)										POWER INPUT(KW), (50HZ)									
			EVAPORATING TEMPERATURE (°C)										EVAPORATING TEMPERATURE (°C)									
			7.0	5.0	0.0	-5.0	-10	-15	-20	-25	-30	-35	7.0	5.0	0.0	-5.0	-10	-15	-20	-25	-30	-35
DM2-2200-AB3	25	35	71.80	67.20	56.60	47.30	39.20	32.10	25.90	20.60	15.95	11.90	13.35	13.30	13.10	12.70	12.10	11.35	10.50	9.52	8.43	7.26
	30	40	66.20	62.00	52.20	43.50	36.00	29.40	23.60	18.65	14.30	10.45	14.85	14.70	14.30	13.70	12.95	12.05	11.00	9.84	8.59	7.27
	35	45	60.80	56.80	47.70	39.70	32.70	26.60	21.30	16.70	12.65	9.04	16.30	16.10	15.45	14.65	13.70	12.65	11.40	10.10	8.68	7.20
	40	50	55.40	51.70	43.30	35.90	29.50	23.90	19.05	14.75	11.00		17.75	17.45	16.60	15.60	14.45	13.15	11.75	10.25	8.70	
	45	55	50.00	46.60	38.90	32.20	26.30	21.20	16.80	12.85	9.36		19.10	18.75	17.70	16.45	15.10	13.65	12.05	10.40	8.63	
DM2-2500-AB3	25	35	84.90	79.40	66.70	55.50	45.80	37.30	30.00	23.70	18.40	13.85	15.80	15.80	15.65	15.15	14.45	13.50	12.45	11.20	9.92	8.58
	30	40	78.80	73.60	61.70	51.30	42.20	34.30	27.50	21.60	16.65	12.40	17.55	17.50	17.05	16.30	15.35	14.25	12.95	11.55	10.10	8.61
	35	45	72.60	67.70	56.60	46.90	38.50	31.10	24.90	19.45	14.85	10.90	19.30	19.10	18.40	17.40	16.25	14.90	13.40	11.85	10.20	8.85
	40	50	66.20	61.70	51.40	42.50	34.70	28.00	22.20	17.30	13.05		21.00	20.70	19.70	18.45	17.05	15.15	13.80	12.05	10.25	
	45	55	59.80	55.70	46.20	38.00	30.90	24.80	19.55	15.05	11.20		22.60	22.20	20.90	19.45	17.80	16.05	14.15	12.20	10.25	
DM2-3000-AB3	25	35	91.40	85.70	72.50	60.90	50.70	41.80	34.00	27.20	21.30	14.40	17.90	17.75	17.30	16.65	15.85	14.90	13.80	12.55	11.20	9.69
	30	40	84.80	79.50	67.10	56.30	46.80	38.50	31.20	24.90	19.35	12.60	19.70	19.45	18.80	17.95	16.95	15.80	14.50	13.05	11.45	9.76
	35	45	78.10	73.10	61.60	51.60	42.80	35.10	28.40	22.50	17.30		21.50	21.20	20.30	19.25	18.00	16.65	15.10	13.45	11.65	9.73
	40	50	71.10	66.50	56.00	46.70	38.60	31.60	25.40	20.00	15.20		23.20	22.90	21.80	20.50	19.05	17.40	16.65	13.75	11.70	
	45	55	64.00	59.80	50.20	41.80	34.40	28.00	22.40	17.50	13.05		25.00	24.50	23.20	21.70	20.00	18.10	16.10	13.95	11.65	
DM2-3300-AB3	25	35	104.50	98.00	82.50	68.90	57.10	46.70	37.80	30.20	23.60	17.95	19.70	19.70	19.40	18.80	17.85	16.70	15.40	13.90	12.35	10.70
	30	40	96.60	90.40	76.00	63.40	52.40	42.80	34.60	27.50	21.40	16.15	21.90	21.80	21.10	20.20	19.00	17.60	16.05	14.35	12.60	10.85
	35	45	88.50	82.70	69.40	57.70	47.60	38.90	31.30	24.80	19.20	14.35	24.00	23.70	22.70	21.50	20.00	18.40	16.60	14.75	12.80	10.90
	40	50	80.30	74.90	62.70	52.10	42.80	34.80	28.00	22.10	17.00		25.90	25.50	24.20	22.70	21.00	19.10	17.10	15.00	12.95	
	45	55	72.00	67.10	56.00	46.30	38.00	30.80	24.70	19.35	14.75		27.80	27.20	25.60	23.80	21.80	19.70	17.50	15.25	13.00	
DM2-3500-AB3	25	35	118.00	110.50	92.80	77.40	64.00	52.40	42.30	33.70	26.40	20.20	23.60	23.50	22.90	22.00	20.80	19.35	17.70	15.95	14.15	12.35
	30	40	109.00	102.00	85.60	71.30	58.90	48.10	38.80	30.80	24.00	18.25	25.90	25.70	24.80	23.50	22.00	20.30	18.45	15.55	14.55	16.60
	35	45	100.00	93.40	78.30	65.00	53.50	43.60	35.10	27.80	21.50	16.25	28.10	27.70	26.40	24.90	21.10	21.20	19.15	17.00	14.90	12.80
	40	50	90.70	84.60	70.70	58.50	48.00	39.00	31.30	24.70	19.05		30.00	29.50	28.00	26.10	24.10	22.00	19.70	17.40	15.10	
	45	55	81.20	75.60	62.90	51.90	42.40	34.30	27.40	21.50	16.50		31.80	31.20	29.30	27.20	25.00	22.60	20.10	17.70	15.25	
DM2-4000-AB3	25	35	141.50	132.50	111.50	93.00	76.90	62.90	50.80	40.50	31.70	24.20	27.70	27.50	26.80	25.80	24.50	22.90	21.10	19.15	17.05	14.85
	30	40	131.00	122.50	103.00	85.80	70.80	57.80	46.70	37.10	28.90	21.90	30.40	31.10	29.10	27.70	26.10	24.20	22.20	19.95	17.60	15.20
	35	45	120.50	112.50	94.40	78.50	64.60	52.70	42.40	33.60	26.00	19.55	33.00	32.60	31.20	29.50	27.60	25.50	23.10	20.70	18.05	15.40
	40	50	109.50	102.50	85.60	71.00	58.40	47.50	38.10	30.10	23.10		35.60	35.00	33.30	31.30	29.10	26.60	24.00	21.30	18.45	
	45	55	98.80	92.10	76.80	63.50	52.00	42.20	33.70	26.50	20.20		38.10	37.40	35.30	33.00	30.50	27.70	24.90	21.90	18.80	
DM2-4500-AB3	25	35	158.50	148.50	125.00	104.50	86.40	70.60	57.00	45.40	35.40	26.90	31.00	31.00	30.30	29.20	27.70	25.90	23.70	21.40	18.95	16.45
	30	40	146.00	136.50	115.00	96.10	79.50	65.00	52.50	41.60	32.30	24.30	34.20	33.90	32.90	31.40	29.50	27.30	24.90	22.30	19.55	16.75
	35	45	133.00	124.50	105.00	87.60	72.40	59.20	47.70	37.80	29.10	21.60	37.20	36.80	35.40	33.50	31.20	28.70	25.90	23.00	19.95	16.90
	40	50	120.00	112.50	94.50	78.80	65.10	53.20	42.80	33.70	25.80		40.10	39.50	37.70	35.40	32.80	29.80	26.70	23.40	21.10	
	45	55	107.00	99.80	83.80	69.80	57.60	46.90	37.60	29.40	22.20		42.80	42.10	39.80	37.10	34.00	30.70	27.30	23.70	20.00	
DM2-5000-AB3	25	35	175.00	163.50	138.00	115.50	96.00	78.80	63.90	51.10	40.00	30.40	37.40	36.90	35.30	33.50	31.60	29.40	27.10	24.60	21.90	19.15
	30	40	162.50	152.00	128.00	107.00	88.60	72.60	58.70	46.70	36.30	27.30	40.60	39.90	38.00	35.90	33.50	31.00	28.30	25.50	22.50	19.40
	35	45	149.50	139.50	117.50	97.90	80.90	66.10	53.30	42.20	32.50	24.20	43.70	42.90	40.60	38.10	35.40	32.50	29.40	26.20	22.90	19.45
	40	50	136.00	127.00	106.50	88.60	72.90	59.40	47.60	37.50	28.70		46.70	45.70	43.00	40.10	37.00	33.80	30.30	26.80	23.10	
	45	55	122.50	114.00	95.30	79.00	64.80	52.50	41.90	32.70	24.70		49.60	48.50	45.30	42.00	38.50	34.80	31.00	27.00	22.90	

Note : Cooling capacity at 20 °C suction gas temperature

DM2 22 - 50 HP

Condensing Air Cooled SEMI HERMETIC Medium temp

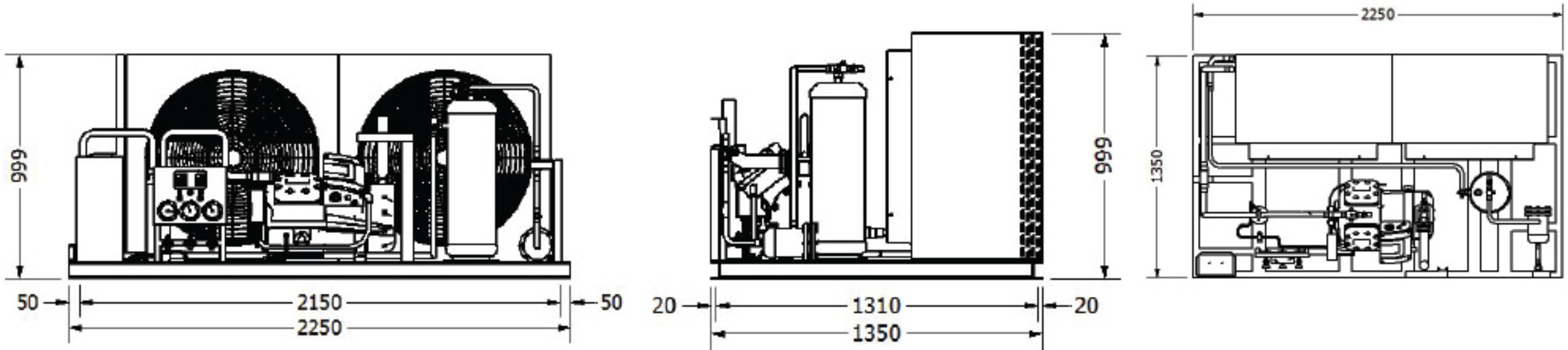


CONDENSING UNIT MODEL	CONDENSER MODEL	COMPRESSOR SPECIFICATION				CONDENSER FAN			COMPRESSOR MODEL
		HP	V/PH/HZ	RLA	LRA	V/PH/HZ	HP	BLADE	
DM2-2200-AB3	E 205	22.0	380/3/50	36.3	175	380/3/50	1-1/2 x 2	30°	4MA-22X-AWM
DM2-2500-AB3	E 206	25.0	380/3/50	41.6	199	380/3/50	1-1/2 x 2	30°	4MH-25X-AWM
DM2-3000-AB3	E 246	30.0	380/3/50	46.6	221	380/3/50	1-1/2 x 2	30°	4MI-30X-AWM
DM2-3300-AB3	E 286	33.0	380/3/50	52.9	221	380/3/50	1-1/2 x 2	30°	4MJ-33X-AWM
DM2-3500-AB3	E 404	35.0	380/3/50	61.1	255	380/3/50	1-1/2 x 4	30°	4MK-35X-AWM
DM2-4000-AB3	E 405	40.0	380/3/50	71.4	304	380/3/50	1-1/2 x 4	30°	6MI-40X-AWM
DM2-4500-AB3	E 405*	45.0	380/3/50	81.5	304	380/3/50	1-1/2 x 4	30°	6MJ-45X-AWM
DM2-5000-AB3	E 486	50.0	380/3/50	92.9	393	380/3/50	1-1/2 x 4	30°	6MK-50X-AWM

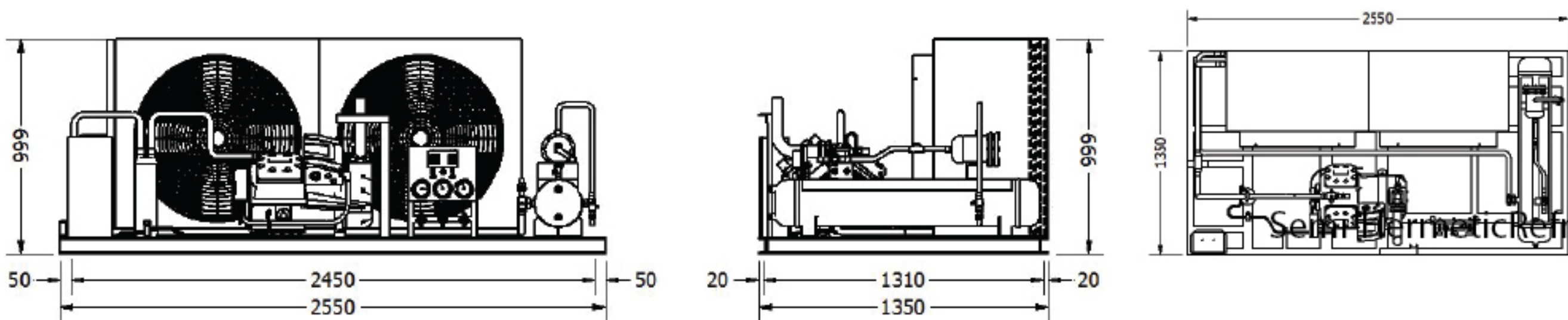
CONDENSING UNIT MODEL	CONDENSER MODEL	CONDENSER TYPE	AIR FLOW (CFM)	OVERALL DIMENSION (MM)			REFRIGERANT CONNECTION (OD) (Inch)			RECEIVER TANK (Litre)	APPROX WEIGHT NET (KGS)
				L	D	H	DISCHARGE	SUCTION	LIQUID		
DM2-2200-AB3	E 205	HORIZONTAL	36.000	2250	1350	999	1-1/8"	1-5/8"	7/8"	23.0	
DM2-2500-AB3	E 206	HORIZONTAL	36.000	2550	1350	999	1-1/8"	2-1/8"	7/8"	40.0	
DM2-3000-AB3	E 246	HORIZONTAL	36.000	2500	1450	1099	1-1/8"	2-1/8"	7/8"	40.0	
DM2-3300-AB3	E 286	HORIZONTAL	36.000	2800	1400	1254	1-3/8"	2-1/8"	1-1/8"	40.0	
DM2-3500-AB3	E 404	HORIZONTAL	72.000	2600	1400	1965	1-3/8"	2-1/8"	1-1/8"	40.0	
DM2-4000-AB3	E 405	HORIZONTAL	72.000	2600	1400	1965	1-3/8"	2-1/8"	1-1/8"	40.0	
DM2-4500-AB3	E 405*	HORIZONTAL	72.000	2600	1400	1965	1-5/8"	2-1/8"	1-1/8"	60.0	
DM2-5000-AB3	E 486	HORIZONTAL	36.000	2900	1400	2470	1-5/8"	2-5/8"	1-1/8"	60.0	

Condensing Air Cooled SEMI HERMETIC Medium temp

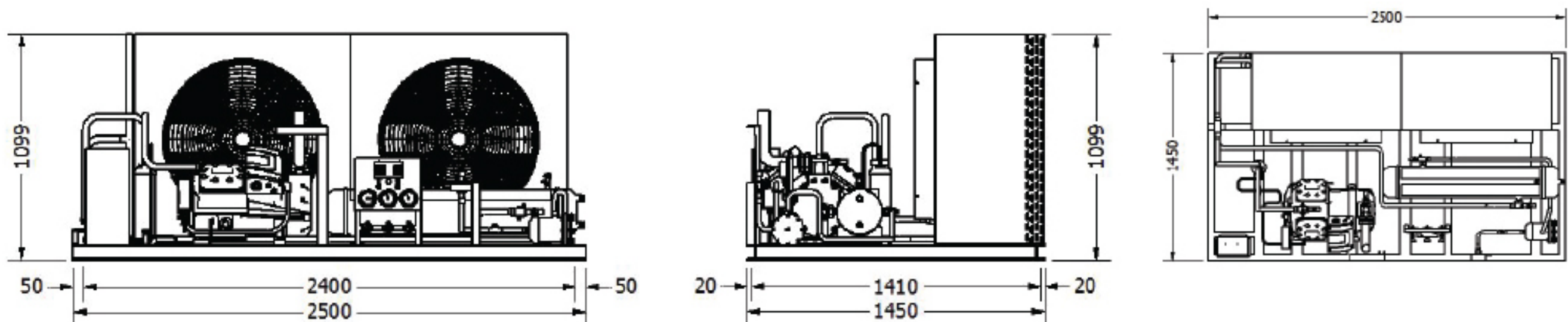
Model : DM2-2200-AB3



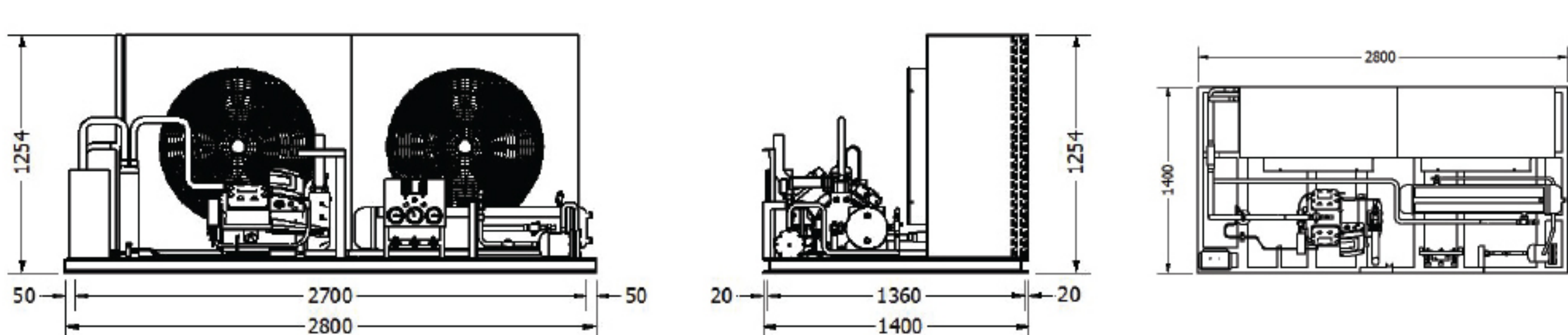
Model : DM2-2500-AB3



Model : DM2-3000-AB3

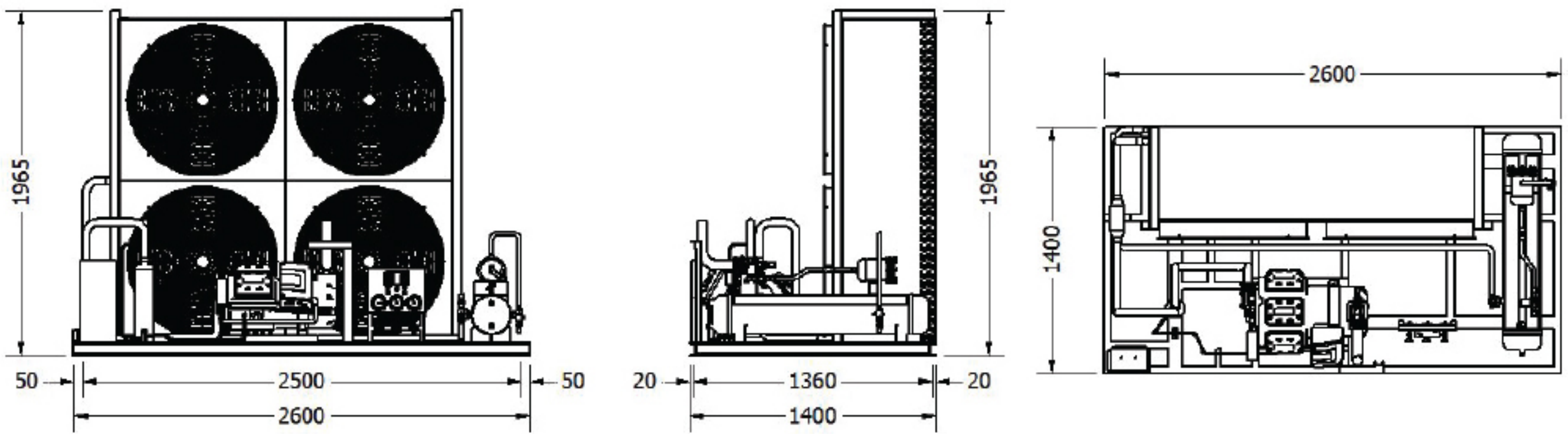


Model : DM2-3300-AB3

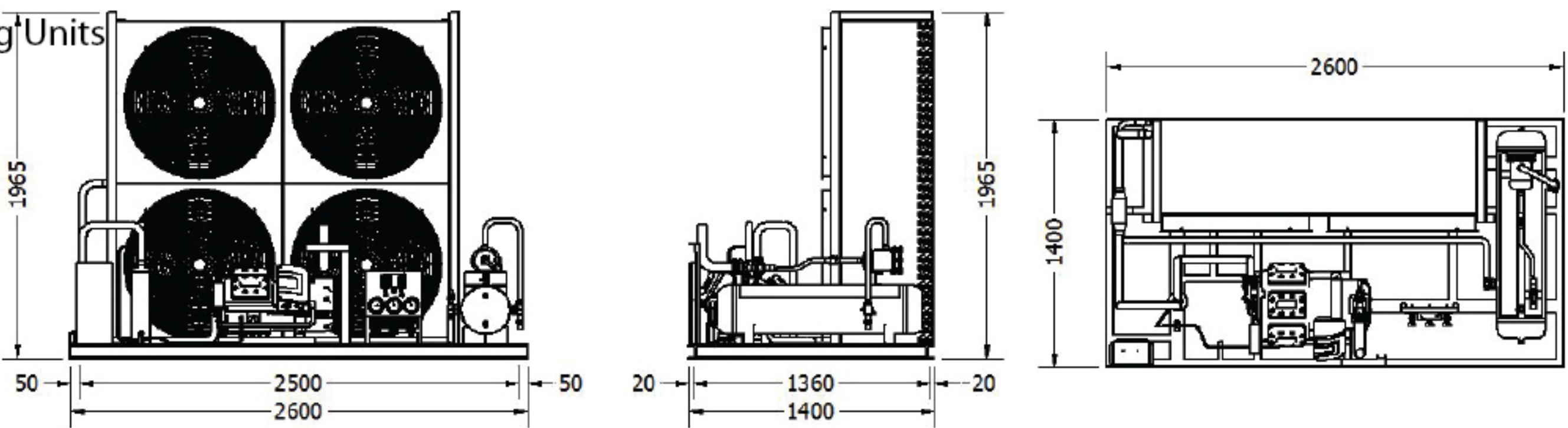


Condensing Air Cooled SEMI HERMETIC Medium temp

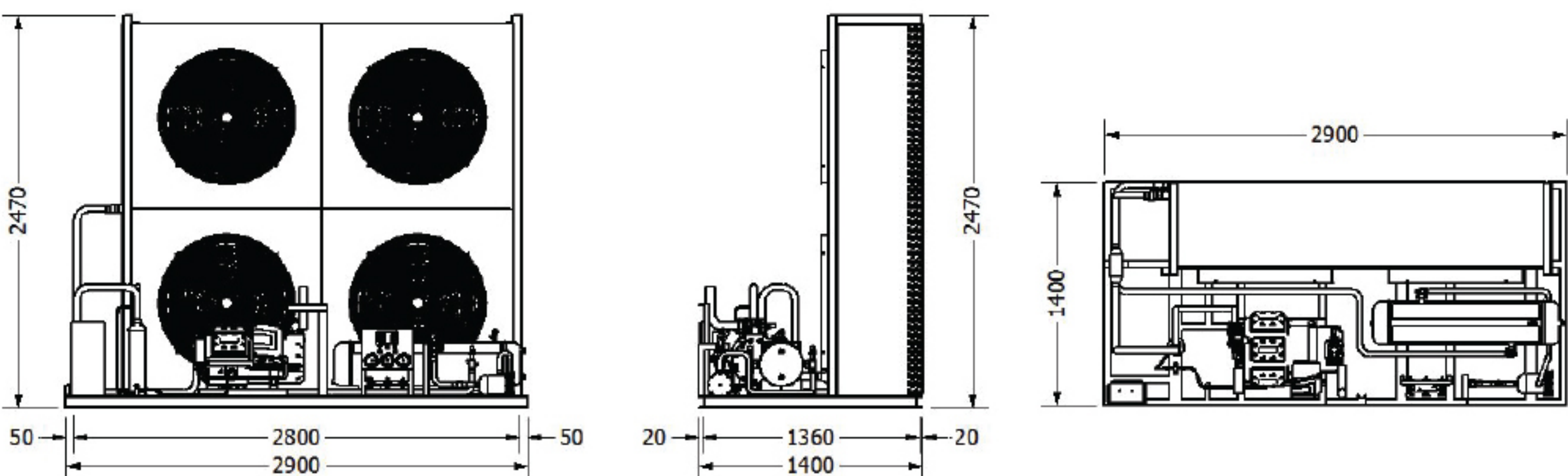
Model : DM2-3500-AB3 / DM2-4000-AB3



Model : DM2-4500-AB3



Model : DM2-5000-AB3



CONDENSING UNIT COOLING CAPACITY SPECIFICATION

CONDENSING UNIT MODEL	AMBIENT TEMPERATURE (°C)	CONDENSING TEMPERATURE (°C)	COOLING CAPACITY(KW), (50HZ)										POWER INPUT(KW), (50HZ)									
			EVAPORATING TEMPERATURE (°C)										EVAPORATING TEMPERATURE (°C)									
			-5.0	-10.0	-15.0	-20.0	-25.0	-30.0	-35.0	-40.0	-45.0	-5.0	-10.0	-15.0	-20.0	-25.0	-30.0	-35.0	-40.0	-45.0		
DL2-1300-AB3	25	35	46.00	38.00	31.10	25.10	19.95	15.55	11.85	8.77	4.71	12.90	12.25	11.40	10.50	9.50	8.43	7.31	6.18	5.05		
	30	40	42.20	34.80	28.40	22.80	18.05	14.05	10.65	6.14	3.93	13.90	13.05	12.05	11.00	9.85	8.65	7.43	6.20	4.99		
	35	45	38.40	31.60	25.70	20.60	16.25	12.55	9.48	5.17	3.20	14.80	13.80	12.65	11.45	10.15	8.83	7.50	6.18	4.89		
	40	50	34.60	28.30	22.90	18.35	14.40	11.10	6.41	4.26	15.70	14.50	13.20	11.80	10.40	8.97	7.53	6.12				
	45	55	30.80	25.10	20.20	16.10	12.60	9.65	5.26	3.41	16.50	15.10	13.65	12.15	10.60	9.06	7.53	6.03				
DL2-1500-AB3	25	35	55.00	45.60	37.40	30.30	24.20	19.05	14.65	10.95	6.13	15.50	14.80	13.90	12.75	11.50	10.20	8.84	7.52	6.26		
	30	40	50.80	42.00	34.40	27.90	22.20	17.40	13.30	7.97	5.16	16.70	15.75	14.60	13.30	11.95	10.50	9.02	7.62	6.31		
	35	45	46.50	38.40	31.40	25.40	20.20	15.75	11.95	6.79	4.20	17.80	16.60	15.30	13.80	12.30	10.70	9.17	7.70	6.35		
	40	50	42.20	34.80	28.40	22.90	18.10	14.05	8.42	5.61	18.80	17.40	15.90	14.25	12.60	10.90	9.28	7.76				
	45	55	37.90	31.20	25.30	20.30	16.05	12.35	6.97	4.45	19.70	18.10	16.40	14.65	12.85	11.05	9.37	7.80				
DL2-2000-AB3	25	35	60.20	50.10	41.30	33.70	27.10	21.40	16.60	12.50	7.19	16.80	16.00	14.95	13.80	12.55	11.25	9.87	8.47	7.03		
	30	40	55.40	46.10	37.90	30.90	24.80	19.55	15.10	9.22	6.07	18.15	17.10	15.85	14.55	13.10	11.60	10.10	8.58	7.09		
	35	45	50.50	42.00	34.50	28.00	22.50	17.65	13.55	7.86	4.96	19.45	18.15	16.70	15.20	13.60	11.95	10.25	8.61	7.08		
	40	50	45.70	37.80	31.00	25.20	20.10	15.75	9.59	6.51	20.70	19.15	17.50	15.80	14.00	12.20	10.35	8.56	6.99			
	45	55	40.80	33.70	27.50	22.20	17.70	13.75	7.92	5.18	21.80	20.10	18.25	16.30	14.35	12.35	10.35	8.42				
DL2-2200-AB3	25	35	67.70	56.30	46.30	37.70	30.30	24.00	18.65	14.10	8.37	19.25	18.30	17.10	15.80	14.30	12.75	11.15	9.57	8.01		
	30	40	62.70	52.00	42.70	34.70	27.80	21.90	16.95	10.50	7.14	20.70	19.50	18.10	16.55	14.90	13.20	11.45	9.70	8.03		
	35	45	57.60	47.60	39.00	31.60	25.20	19.80	15.20	8.99	5.93	22.10	20.60	19.00	17.25	15.40	13.50	11.60	9.75	7.97		
	40	50	52.40	43.20	35.20	28.40	22.60	17.65	10.80	7.50	23.40	21.70	19.80	17.85	15.85	13.75	11.70	9.72				
	45	55	47.10	38.70	31.40	25.20	19.90	15.45	8.96	6.04	24.50	22.60	20.50	18.35	16.15	13.90	11.75	9.60				
DL2-2500-AB3	25	35	75.80	62.90	51.60	41.80	33.50	26.40	20.40	15.40	8.97	22.10	21.00	19.60	18.00	16.30	14.45	12.60	10.70	8.91		
	30	40	70.20	58.10	47.50	38.50	30.70	24.10	18.60	11.40	7.75	23.70	22.30	20.60	18.80	16.90	14.85	12.85	10.85	8.95		
	35	45	64.30	53.10	43.30	35.00	27.80	21.80	16.75	9.82	6.54	25.10	23.40	21.50	19.45	17.35	15.20	13.00	10.90	8.93		
	40	50	58.30	47.90	39.00	31.30	24.80	19.40	11.80	8.25	24.40	22.20	20.00	17.70	15.40	13.40	11.60	9.70				
	45	55	52.40	43.20	35.20	28.40	22.60	17.65	10.80	7.50	22.80	20.40	17.90	15.45	13.45	11.75	10.00	8.40				
DL2-3000-AB3	25	35	92.30	76.20	62.40	50.50	40.40	32.00	23.00	18.85	11.05	25.70	24.50	23.10	21.40	19.50	17.45	15.30	13.15	11.05		
	30	40	85.10	70.20	57.40	46.50	37.20	29.30	22.70	14.00	9.48	27.80	26.30	24.50	22.50	20.40	18.05	15.70	13.30	11.00		
	35	45	78.00	64.20	52.40	42.40	33.90	26.60	20.50	2.40	7.83	29.80	28.00	25.90	23.60	21.10	18.55	15.95	13.35	10.85		
	40	50	70.80	58.20	47.40	38.20	30.40	23.90	14.60	10.05	31.80	29.60	27.10	24.50	21.80	18.90	16.05	13.25				
	45	55	63.50	52.00	42.20	34.00	26.90	21.00	12.10	7.98	33.60	31.10	28.30	25.30	22.30	19.15	16.05	13.00				
DL2-3500-AB3	25	35	103.50	86.00	70.50	57.20	45.80	36.10	28.10	21.30	12.70	29.10	27.80	26.00	24.10	21.80	19.50	17.05	14.60	12.15		
	30	40	95.90	79.30	64.90	52.50	41.90	33.00	25.60	15.85	11.00	31.50	29.70	27.60	25.30	22.70	20.10	17.45	14.80	12.15		
	35	45	87.90	72.40	59.10	47.70	38.00	29.80	23.00	13.70	9.30	33.70	31.50	29.10	26.40	23.60	20.70	17.75	14.90	12.15		
	40	50	79.70	65.40	53.20	42.80	34.00	26.60	16.30	11.55	35.90	33.30	30.50	27.40	24.30	21.10	17.95	14.90				
	45	55	71.30	58.30	47.20	37.80	29.90	23.30	13.55	9.41	38.00	35.00	31.80	28.40	25.00	21.50	18.15	14.90				
DL2-4000-AB3	25	35	117.00	96.60	78.90	63.80	51.00	40.20	31.10	23.50	33.40	31.60	29.50	27.10	24.60	21.90	19.20	16.50	13.70			
	30	40	108.00	89.00	72.70	58.70	46.80	36.80	28.40	35.80	33.60	31.10	28.50	25.60	22.70	19.70	16.70	13.80				
	35	45	98.80	81.40	66.30	53.50	42.60	33.40	25.70	38.10	35.50	32.70	29.70	26.50	23.30	20.00	16.80	13.60				
	40	50	89.70	73.70	59.90	48.20	38.30	29.90	40.30	37.30	34.10	30.70	27.30	23.70	20.10	16.65						
	45	55	80.60	65.90	53.50	42.90	33.90	26.40	42.30	38.90	35.30	31.60	27.80	23.90	20.00	16.25						

Note : IN BLUE SHADED AREA RECOMMEND TO SELECT ADDITIONAL (Suction Gas Return 0 °C)

DL2 13 - 40 HP

Condensing Air Cooled SEMI HERMETIC Low temp

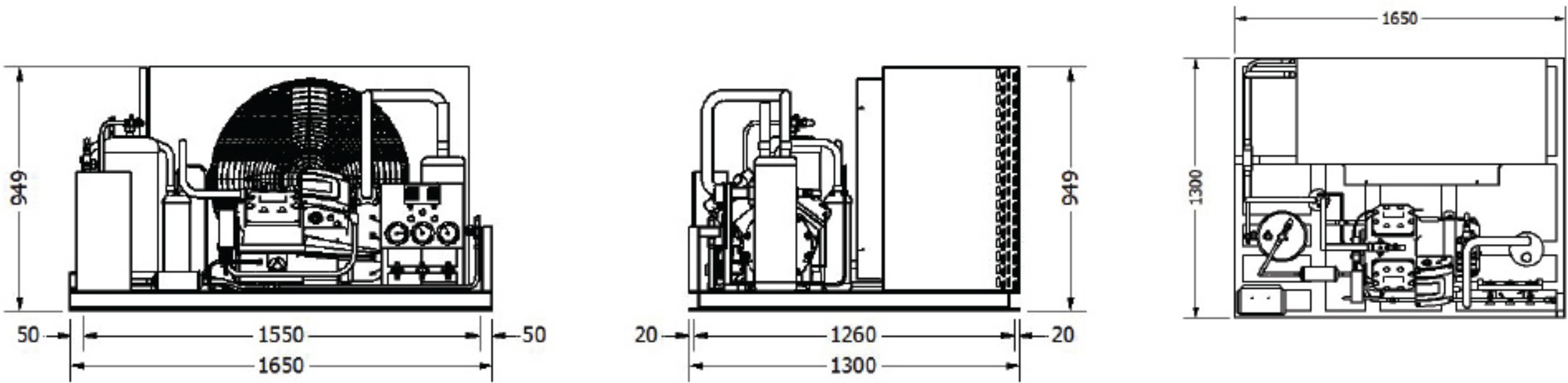


CONDENSING UNIT MODEL	CONDENSER MODEL	COMPRESSOR SPECIFICATION				CONDENSER FAN			COMPRESSOR MODEL
		HP	V/PH/HZ	RLA	LRA	V/PH/HZ	HP	BLADE	
DL2-1300-AB3	E 86	13.0	380/3/50	30.8	105	380/3/50	1-1/2 x 1	30°	4MF-13X-AWM
DL2-1500-AB3	E 96	15.0	380/3/50	35.4	156	380/3/50	1/2 x 2	30°	4ML-15X-AWM
DL2-2000-AB3	E 186	20.0	380/3/50	39	175	380/3/50	1-1/2 x 1	30°	4MM-20X-AWM
DL2-2200-AB3	E 204	22.0	380/3/50	51.9	199	380/3/50	1-1/2 x 2	30°	4MU-22X-AWM
DL2-2500-AB3	E 204*	25.0	380/3/50	51.9	199	380/3/50	1-1/2 x 2	30°	4MU-25X-AWM
DL2-3000-AB3	E 206	30.0	380/3/50	59.7	255	380/3/50	1-1/2 x 2	30°	6MM-30X-AWM
DL2-3500-AB3	E 286	35.0	380/3/50	67.3	255	380/3/50	1-1/2 x 2	30°	6MT-35X-AWM
DL2-4000-AB3	E 286	40.0	380/3/50	75.8	304	380/3/50	1-1/2 x 2	30°	6MU-40X-AWM

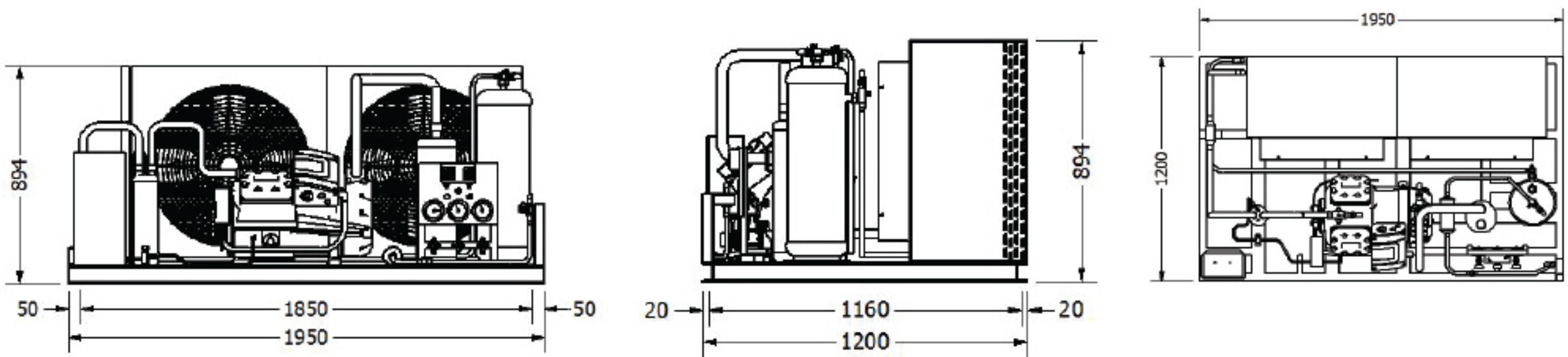
CONDENSING UNIT MODEL	CONDENSER MODEL	CONDENSER TYPE	AIR FLOW CFM	OVERALL DIMENSION (MM)			REFRIGERANT CONNECTION (OD) (Inch)			RECEIVER TANK (Litre)	APPROX WEIGHT NET (KGS)
				L	D	H	DISCHARGE	SUCTION	LIQUID		
DL2-1300-AB3	E 86	HORIZONTAL	18,000	1650	1300	949	1-1/8"	1-5/8"	7/8"	19.0	
DL2-1500-AB3	E 96	HORIZONTAL	18,000	1950	1200	894	1-1/8"	1-5/8"	7/8"	23.0	
DL2-2000-AB3	E 186	HORIZONTAL	20,000	1650	1300	1249	1-1/8"	2-1/8"	7/8"	23.0	
DL2-2200-AB3	E 204	HORIZONTAL	36,000	2250	1350	999	1-3/8"	2-1/8"	7/8"	23.0	
DL2-2500-AB3	E 204*	HORIZONTAL	36,000	2550	1350	999	1-3/8"	2-1/8"	7/8"	40.0	
DL2-3000-AB3	E 206	HORIZONTAL	36,000	2550	1350	999	1-3/8"	2-1/8"	7/8"	40.0	
DL2-3500-AB3	E 286	HORIZONTAL	36,000	2800	1400	1254	1-5/8"	2-1/8"	1 1/8"	40.0	
DL2-4000-AB3	E 286	HORIZONTAL	36,000	2800	1400	1254	1-5/8"	2-1/8"	1 1/8"	40.0	

Condensing Air Cooled SEMI HERMETIC Low temp

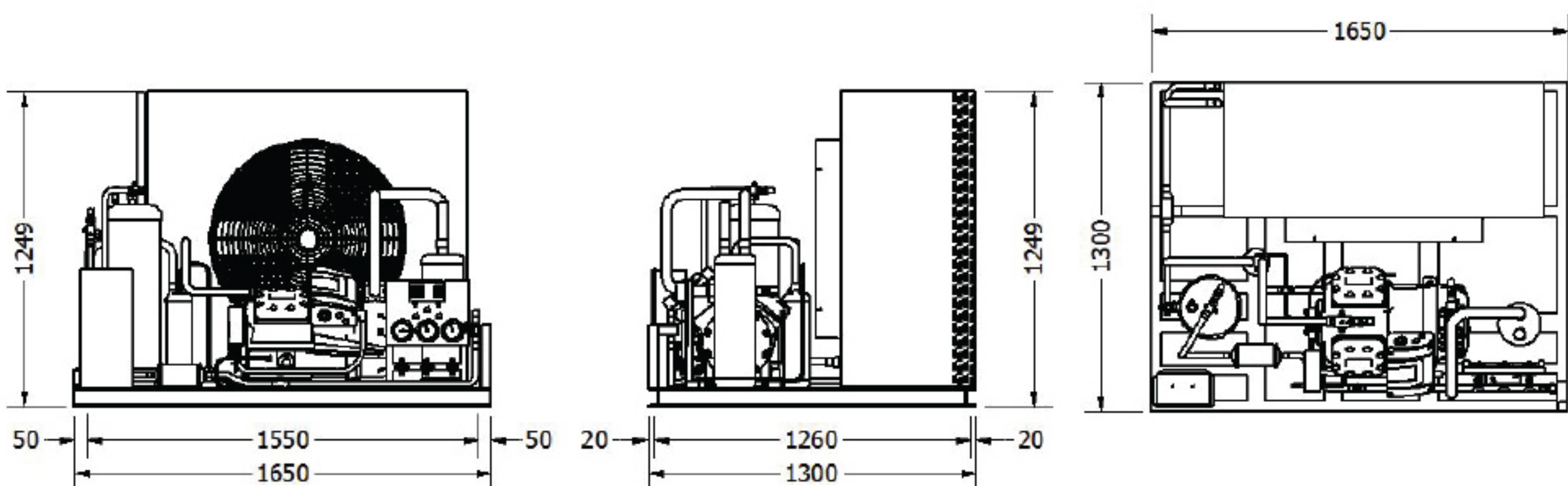
Model : DL2-1300-AB3



Model : DL2-1500-AB3

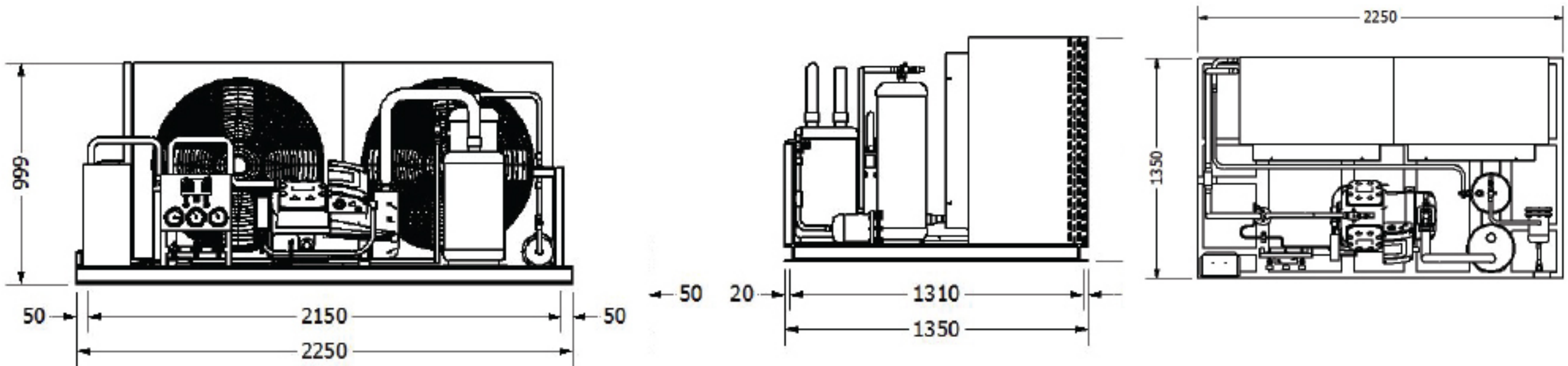


Model : DL2-2000-AB3

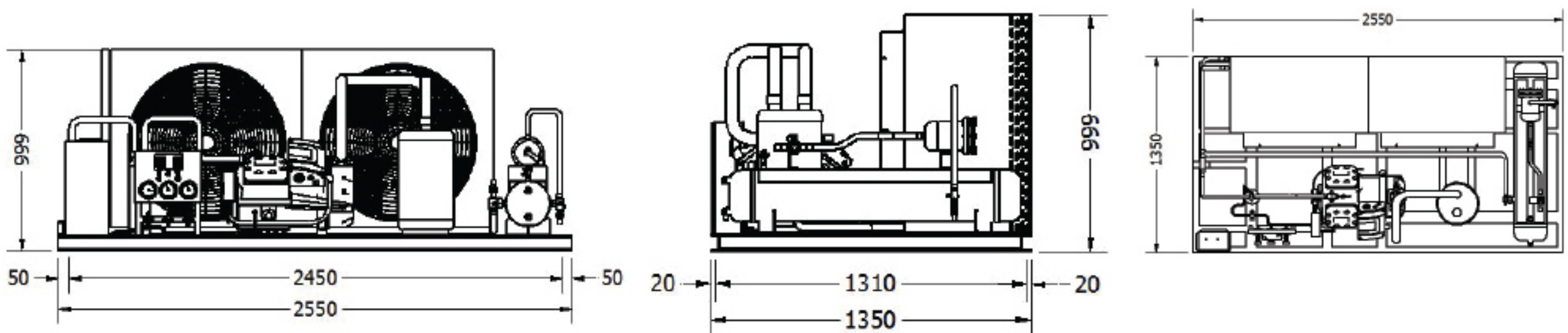


Condensing Air Cooled SEMI HERMETIC Low temp

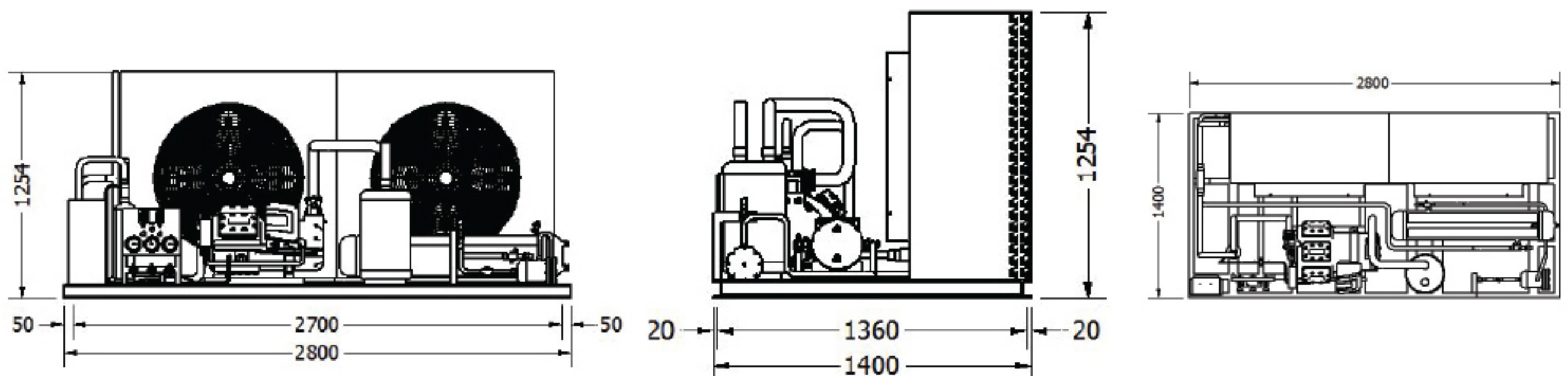
Model : DL2-2200-AB3



Model : DL2-2500-AB3 / DL2-3000-AB3



Model : DL2-3500-AB3 / DL2-4000-AB3





Maxcess

Sangchai Refrigeration Co.,Ltd.

88 Borommaratchachonnani Rd., Chim Phli , Taling Chan , Bangkok 10170

☎ : (+66)2-446-5656 📠 : (+66)2-446-5601

www.sangchaigroup.com

