



AEROEVAPORATORI COMMERCIALI
COMMERCIAL UNIT COOLERS
EVAPORATEURS COMMERCIAUX
HOCHLEISTUNGSLUFTKÜHLER
EVAPORADORES COMERCIALES
КОММЕРЧЕСКИЙ
ВОЗДУХООХЛАДИТЕЛИ
KOMERCYJNE CHŁODNICE POWIETRZA





Heat exchangers
for industrial and commercial refrigeration,
air conditioning
and industrial applications.



LU-VE S.p.A. is the holding company of **LU-VE** Group. In 1985 **LU-VE** S.p.A. acquired Contardo S.p.A., established in 1928. Production began in 1986.

LU-VE quickly made its mark thanks to high standards of quality, new solutions designed in its own laboratories and to the care taken with the appearance of its products. (Beautiful outside - Revolutionary inside).

LU-VE WAS THE FIRST COMPANY IN THE WORLD TO APPLY AVANT-GARDE SOLUTIONS TO COMMERCIAL AND INDUSTRIAL REFRIGERATION:

- GROOVED TUBE TECHNOLOGY
- SPECIALIZED HEAT EXCHANGE SURFACES
- CERTIFIED PERFORMANCE LEVELS
- INNOVATIVE MATERIALS AND COLOURS
- ADVANCED DESIGN.

The success of **LU-VE** in the international market stems from its research and development policy, its great respect for the environment and its rigorous ethical and commercial principles.

In 2000, **LU-VE** was the first company in Europe to attain the prestigious **Eurovent "Certify-All"** certification for the entire range of its products: unit coolers, condensers and dry coolers.

LU-VE and the Group have introduced new ways of conceiving and constructing products for refrigeration, air conditioning and industrial applications, creating new technologies which have then gone on to become the benchmark for the entire industry.



COMMERCIAL UNIT COOLERS

LU-VE commercial unit coolers are designed for the conservation of fresh and frozen goods.

All ranges are super compact:

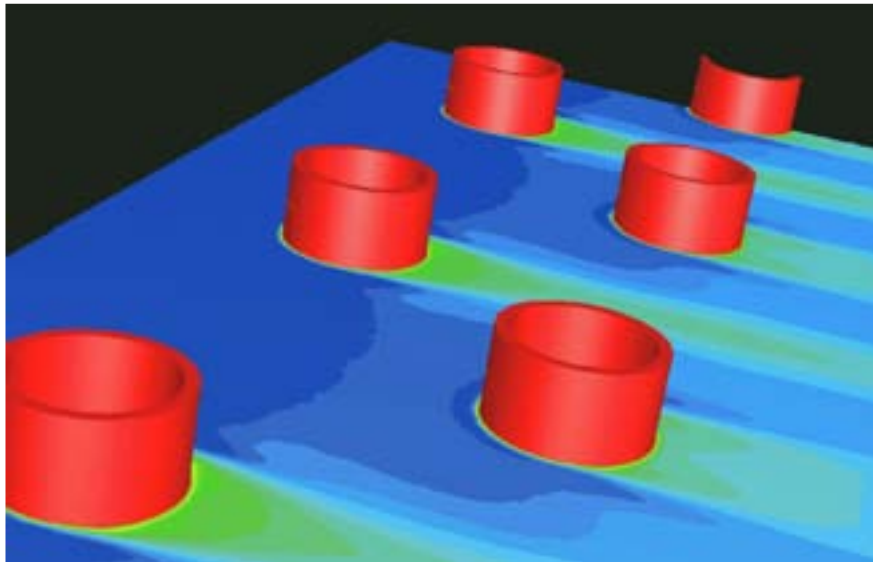
- Cubic unit coolers for cold rooms (FHC)
- Angled unit coolers for cold rooms (BHA-SHA and BMA-SMA)
- Dual discharge unit coolers with normal ventilation for cold rooms (BHDN-SHDN e BMDN-SMDN)
- Dual discharge unit coolers with low ventilation and low noise for laboratories, work rooms and packing areas (BHDS-SHDS e BMDS-SMDS).

- Extremely quiet dual discharge unit coolers with normal and low ventilation for cold rooms and work rooms (FHD).

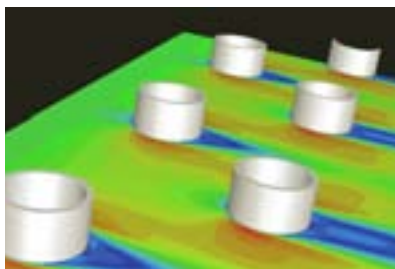
All the ranges have these special characteristics of size and function:

- **extremely high efficiency of heat transfer.**
- **reduced dehumidification of the cold room.**
- **reduced frost formation.**
- **long air throw.**
- **extremely low internal volume of the circuit.**
- **low noise level.**
- **low energy consumption.**
- **greatly reduced footprint.**

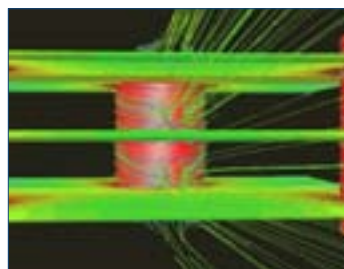
RESEARCH AND DEVELOPMENT



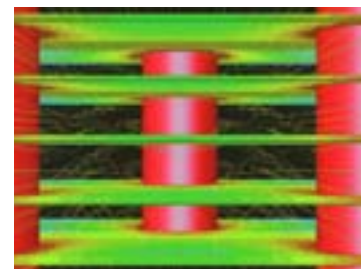
Temperature field - CFD output



Velocities - CFD output



Path lines - CFD output



Path lines - CFD output

CFD (Computational Fluid Dynamics)

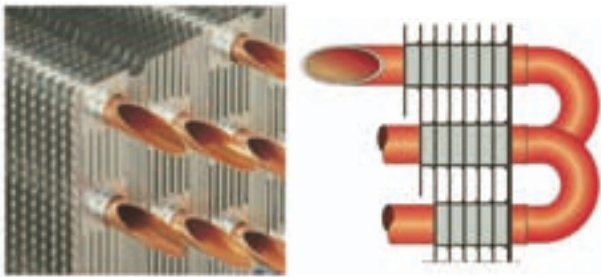
CFD codes have been used in the study of thermo fluid dynamic processes in heat exchangers.

When applied to finned heat exchangers, this permits better understanding of the fluid dynamic phenomena and the heat transfer processes.

As a result of this, the heat transfer characteristics of the geometries used (already of a very high standard),

have been steadily improved by constantly renewing the layers of air in contact with the fins and generating greater turbulence from the louvers. The more uniform air flow also prevents the deposition of humidity on the fins and consequently stops frost formation.

Results of CFD analyses are regularly confirmed by experimental tests carried out in the LU-VE laboratory.



HEAT EXCHANGERS TURBOCOIL®

The very high-efficiency **TURBOCOIL®** heat exchangers have the best power/cost ratio obtainable and are constructed with:

- high-efficiency **TURBOFIN®** aluminium fins with special configuration of the louvre profile to reduce dehumidification and frost formation;
- high-efficiency small-diameter copper tubes with internal helical grooving, designed for optimum evaporation of the new refrigerant fluids.

JET-O-MATIC® (Optional)

The **JET-O-MATIC®** distributor is specially designed to guarantee maximum efficiency of the heat exchanger in different operating conditions.

Its advantages are:

- **greater operating stability** – the even distribution of refrigerant fluids (through the different circuits) ensures stable, reliable performance from the unit cooler;
- **better frost formation** – the uniform distribution of the fluid guarantees homogeneous deposition of frost on all the finned surfaces, allowing less frequent defrosting operations;
- **maximum capacity** – in all operating conditions, especially with the new HCFC refrigerants characterized by a mixture with a high gas/liquid ratio.



JET STREAMER®

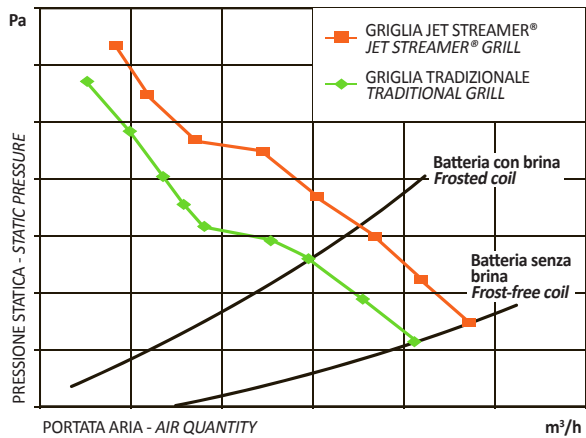
The design process of the FHC range centred on research into new operating efficiency limit, using in-depth study of fluid dynamics. Lengthy experimentation in the wind tunnel of the LU-VE laboratory enabled the development and patenting of the **JETSTREAMER®** directional grill.

The innovative design of its profile provides special advantages:

- **uniform distribution** of airflow through the heat exchanger;
- **significant increase** in air quantity, with both frost-free coil (from +4 to +9%) and, above all, also with frost on the coil fins (from +7 to +15%).



The improvement in air quantity during the frosting stage has a special significance; it guarantees notably superior capacity and a 25% longer air throw.



FIN PITCH

Specific fin pitches are provided to satisfy the requirements for refrigeration at high, medium and low temperatures in different humidity conditions, by type of application:

- processing: 3,0 mm
- conservation at positive temperatures: 4.5 and 6.0 mm
- conservation at negative temperatures and freezing: 7.0, 7.5 and 10.0 mm.

DEFROST

Various types are available to ensure efficient and effective defrost depending on operating conditions (TC= Room Temperature):

- TC > 2°C air defrost (N)
- TC > -35°C electric defrost (E)
- TC > -35°C hot gas defrost for coil and electric in the drain tray (G).

The stainless steel electric heaters, connected to the junction box, provide efficient and rapid defrost of the coil. For especially severe working conditions more powerful electric defrost is available, as is an electric heater for the fan shroud.

FAN MOTORS

All models use the new high-efficiency low-consumption fan motors with incorporated thermal protection.

The fans are statically and dynamically balanced, and the fan motors are connected to the junction box (optional for F45HC and F50HC).

ELECTRONIC MOTORS

The new FHD unit coolers are fitted – as standard equipment - with electronic fans developed using EC technology, dramatically reducing energy consumption.



COMMERCIAL UNIT COOLERS

CASING

FHC, BMA-SMA, BMD-SMD: specially designed corrosion-resistant galvanized steel casings with epoxy-polyester powder coating.

BHA-SHA, BHD-SHD: casings are constructed from "Safeshell" impact-resistant safety material.

FHD: strengthened "Safeshell" casing.

FAN SHROUD AND FAN GUARD

The guards conform to the most stringent safety standards to guarantee maximum protection.

The optimized matching of fan shrouds, guards and casings permits:

- homogeneous unidirectional outlet airflow
- air throw increased by 25% compared with other commonly used solutions.
(Versions with JETSTREAMER®).

DISTRIBUTOR AND REFRIGERANT CIRCUIT

The distributors and the refrigerant circuits have been designed to ensure maximum efficiency of the heat exchanger in the different operating conditions of the unit cooler.

SUPER HITEC: Venturi distributor.

BENEFIT (B): JET-O-MATIC® distributor (except for F45HC and F50HC).

PRESSURE GAUGE VALVE

This measures evaporation pressure at the outlet of the unit cooler and checks that the machine is functioning correctly.

JUNCTION BOX

IP 55 protection.

MAINTENANCE AND CLEANING

Only one tool required to access all internal parts.

The fan guards, side panels and drain tray are easy to remove to reach the electric motors, heaters and thermostatic valve.

TESTING

The coil is tested at appropriate pressure, carefully degreased and dried with dry air.

CONSTRUCTION VARIANTS

Versions are also available for: Glycol-NH3-CO2.

- Stainless steel tubes.
- Alupaint fins and copper fins for fin pitch 3.0-4.5-6.0-7.5 mm.
- Insulated drain tray (recommended for TC < -20 °C) (only for FHC).
- Device for reducing defrost time and energy consumption (only for FHC).
- Electric heaters for the mouth of the fan shrouds, (only for FHC).
- Wired fans (standard for all units, optional for F45HC and F50HC).
- Electronic motors to reduce energy consumption.

PERFORMANCE

The capacities of unit coolers are tested in dry atmosphere (sensible heat) according to ENV 328.

Total capacities (sensible heat plus latent heat) indicated in the catalogue (R404A) for the usual applications in dry atmosphere refer to a room temperature of 2.5°C and evaporating temperature of -7,5 °C (DT1=10K).

They correspond to dry atmosphere capacities multiplied by a factor of 1.25 (latent heat factor) to take into account the increase of capacity (latent heat) caused by the condensation of water vapour on the surfaces of the unit cooler.

This factor depends on the operating conditions of the cold room.

It increases for high room temperatures and decreases for low room temperatures as indicated in the table.

Air inlet temperature	Latent heat factor
10 °C	1,35
2,5 °C	1,25
0 °C	1,15
-18 °C	1,05
-25 °C	1,01

STANDARDS

The products are provided for incorporation in machines as defined in the EC Machine Directive 2006/42/CE and subsequent modifications.



- Directive 2004/108/CE and subsequent modifications, Electromagnetic compatibility.
- Directive 2006/95/CE Low tension.
- EN 294 Fan guards.
- PED 97/23/CE.

EUROVENT CERTIFICATION

- Capacity (ENV 328).
- Air quantity.
- Fan motor power draw.
- External surfaces.
- Energy class.



SELECTION

A Windows software programme is available for unit selection (REFRIGER®).



ENERGY CLASS

Class	Energy consumption	Dx Air Coolers	
		R	$= \frac{\text{Capacity SC2 wet}}{\text{Fan power cons}} \times \sqrt{\frac{\text{fin spacing}}{4.5}}$
A++	Remarkably low	R ≥ 45	
A+	Extremely low	35 ≤ R < 45	
A	Very low	27 ≤ R < 35	
B	Low	21 ≤ R < 27	
C	Medium	16 ≤ R < 21	
D	High	12 ≤ R < 16	
E	Very high	R < 12	



ENERGY MANAGEMENT SYSTEM

The LU-VE energy management system conforms to UNI CEI EN 16001:2009.



QUALITY ASSURANCE

LU-VE is a certificated company to UNI EN ISO 9001:2008, which is the most important Quality Assurance qualification, covering Development, Testing, Production method and Inspection procedures



2 YEAR GUARANTEE

All our products are manufactured from high quality materials and undergo severe final tests.

They are therefore guaranteed against any construction defect for a period of two years.



Damage caused by corrosive agents is excluded. Components or units found to be defective must be returned to our factory with prepaid freight where they will be checked and, depending on our judgement, replaced or repaired. We take no responsibility for leaks or damage caused by the use or misuse of our products. No guarantee is granted in the event of misuse or incorrect installation of the products. We reserve the right to make modifications in order to improve the performance or appearance of our products at any time without notice and without any obligation to previous production.



PACKING

Products are packed in recyclable materials (RESY).



UNIT COOLERS FOR CO₂

In the refrigeration industry, the utilization of CO₂ fluid is becoming more and more popular as a radical solution to eliminate the greenhouse effect caused by halogenated hydrocarbons in the HFC category.

The GWP (Global Warming Potential) of CO₂ is in fact very low compared to HFCs (1 against several thousands); also, CO₂ does not present any problems of toxicity, flammability nor of impact on the ozone layer.

CO₂ is significantly different from all the traditional HFCs (R404A, R507, ...) and it poses particular problems for heat exchanger designers; in addition, the appropriate choice of heat exchanger technology is fundamentally important in the realization of high efficiency CO₂ plants. For these reasons, a specific project between LU-VE, Politecnico di Milano and some important customers was carried out in order to define the ideal product configuration to get the best out of the specific characteristics of this refrigerant and to obtain interesting benefits from it.

Over time, LU-VE has in fact developed a line of products specifically for CO₂ unit coolers and, in an even more daring project, for sophisticated gas coolers which in transcritical CO₂ plants substitute traditional condensers in HFC installations. Today LU-VE can state that it has the highest technical level and greatest experience in this particular field.

Numerous unit coolers and gas coolers have been installed in different countries in recent years.

CO₂

FHC



**SHD
SMD**



FHD



**SHA
SMA**



UNIT COOLERS

A specific configuration with copper tubes of small diameter and specialized fin geometry has been developed.

The use of copper tubes allows high product efficiency and low CO₂ content.

Particular circuiting for CO₂ has been designed for each model, taking into account the thermophysical properties of CO₂, favourable to obtain elevated heat transfer performance and low internal pressure drop.

The capacity of CO₂ unit cooler is in the region of +8% of the corresponding model working with R404A (Tevap -8 °C) and about +12% of the corresponding model working with R404A (Tevap -30 °C).

The max operating pressure has for the complete range the high value of 45 bar.

PRODUCT RANGE

- Commercial cubic FHC.
- Commercial dual discharge FHD, SHD and SMD.
- Commercial angular SHA and SMA.

GLYCOL - Air coolers for Glycol Water

HEAT EXCHANGERS

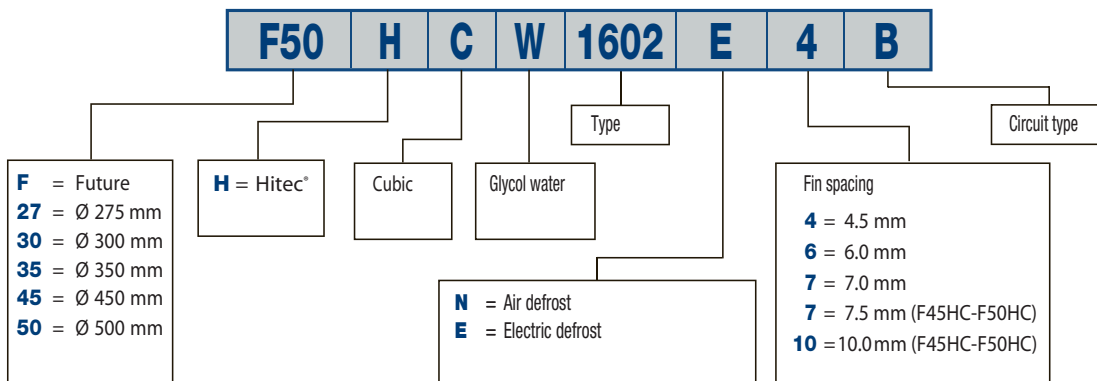
The high-efficiency heat exchangers that characterize the TURBOCOOLER® range of air coolers are manufactured with the copper tubes and with the new aluminium fins.

COMMON DATA

All other construction characteristics and dimensions are the same as stated for standard unit coolers.



Ordering example



NH3 - Unit coolers for ammonia

HEAT EXCHANGERS

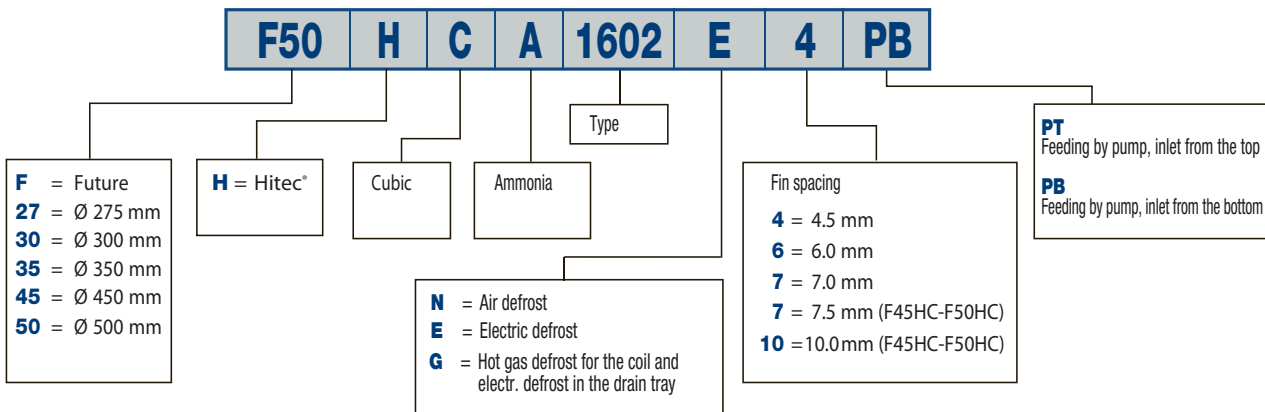
The high efficiency heat exchangers that characterize the ranges are manufactured with stainless steel tubes and with aluminium fins.

COMMON DATA

All other construction characteristics and dimensions are the same as stated for standard unit coolers.



Ordering example







Modello	Model	Modèle	Modell	Modelo	Модель	Model
Potenza	Capacity	Puissance	Leistung	Potencia	Мощность	Wydajność
Portata aria	Air quantity	Débit d'air	Luftdurchsatz	Caudal de aire	Объем воздуха	Przepływ powietrza
Fluido refrigerante	Refrigerant fluid	Fluide caloporteur	Kälte Träger	Fluido refrigerante	Хладагент	Czynnik chłodniczy
Portata	Flow rate	Débit	Volumenstrom	Caudal	Расход	Przepływ
Perdita di carico	Pressure drop	Perte de charge	Druckverlust	Perdita de carga	Потеря давления	Strata ciśnienia
Elettroventilatori	Fans	Ventilateurs	Ventilatoren	Electroventiladores	Вентиляторы	Wentylatory
Poli	Poles	Pôles	Polig	Polos	Подключение	Pola
Collegamento	Connection	Connexion	Anschluss	Conexión	Подключение	Połączenie
Assorbimento motori	Motor power consumption	Puissance moteurs	Leistungsaufnahme	Consumo motores	Потребление мотора вентилятора	Pobór mocy/prądu silnika
Livello pressione sonora	Sound pressure level	Niveau pression sonore	Schalldruckpegel	Nivel de presión sonora	Уровень шума	Poziom ciśnienia akustycznego
Circuiti	Circuits	Circuits	Kreise	Circuitos	Контур	Obiegi
Volume circuito	Circuit volume	Volume circuit	Rohrinhalt	Volumen circuito	Внутренний объем	Objętość obiegu
Superficie	Surface	Surface	Fläche	Superficie	Поверхность	Powierzchnia
Dimensioni	Dimensions	Dimensions	Abmessungen	Dimensiones	РАЗМЕРЫ	Wymiary
Peso	Weight	Poids	Gewicht	Peso	Вес	Waga
Dati comuni	Common data	Caractéristiques communes	Konstante Daten	Datos comunes	Общие данные	Dane wspólne



F27HC

60

F30HC

61

F35HC

62

F45HC *Vantage*

63

F50HC *Vantage*

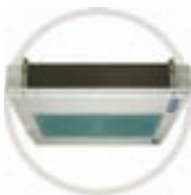
64



FHD



68



BHDN-SHDN-BMDN-SMDN

72

BHDS-SHDS-BMDS-SMDS

74



BMA-SMA

78

BHA-SHA

82

LU-VE Technology

84 85

Metodo di scelta - Unit cooler model selection

Méthode de sélection de l'évaporateur

Auswahlmethoden für Hochleistungsluftkühler

Método de selección de evaporador - Метод выбора

Dobór chłodnicy powietrza

86 87

HIGH EFFICIENCY CUBIC UNIT COOLERS FOR COLD ROOMS



Jetstreamer® directional grill provides uniform distribution of the air on the exchanger, greater air quantity, greatly extended use of the fan during the defrost stage and a particularly long air throw.





● **FHC**

1,5 ÷ 81,9 kW - 127 models

F27HC

Aeroevaporatori per celle frigorifere
Unit coolers for cold rooms



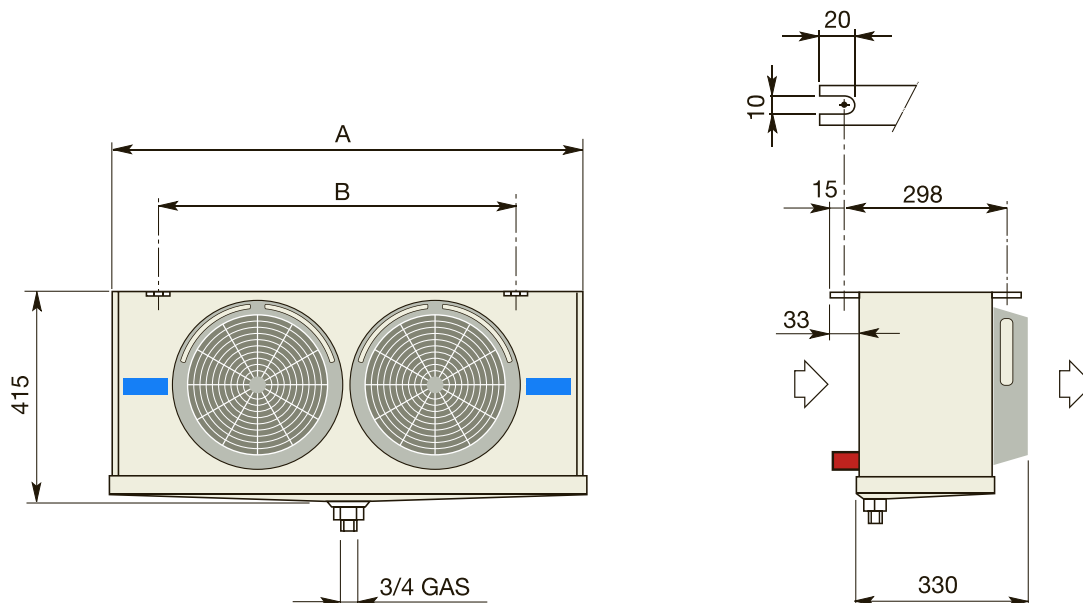
1450 ÷ 9400 W



4 = 4.5 mm Passo alette Fin spacing			TC = 10°C ÷ -25 °C					
Modello	Type	F27HC	25-4	36-4	49-4	71-4	107-4	142-4
Potenza (R404A)	• TC 2,5 °C (ΔT1 10K)	W	1850	2350	3850	4750	7200	9400
Capacity	TC 0 °C (ΔT1 8K)	W	1350	1750	2850	3500	5300	6900
Portata d'aria	Air quantity	m³/h	900	900	1800	1800	2700	3600
Freccia d'aria	Air throw	m	10,5	10,5	12,5	12,5	14,0	15,5
Superficie esterna	External surface	m²	7,3	7,3	14,6	14,6	21,9	29,2
Superficie interna	Internal surface	m²	0,5	0,7	1,0	1,4	2,1	2,8
Peso	Weight	kg	12	13	19	21	28	36
6 = 6.0 mm Passo alette Fin spacing			TC = 10°C ÷ -25 °C					
Modello	Type	F27HC	19-6	28-6	38-6	55-6	85-6	110-6
Potenza (R404A)	• TC 2,5 °C (ΔT1 10K)	W	1600	2050	3300	4150	6300	8300
Capacity	TC 0 °C (ΔT1 8K)	W	1200	1500	2450	3050	4650	6100
Portata d'aria	Air quantity	m³/h	950	950	1900	1900	2850	3800
Freccia d'aria	Air throw	m	11,0	11,0	13,0	13	14,5	16,0
Superficie esterna	External surface	m²	5,6	5,6	11,2	11,2	16,8	22,4
Superficie interna	Internal surface	m²	0,5	0,7	1,0	1,4	2,1	2,8
Peso	Weight	kg	11	12	18	20	27	34
7 = 7.5 mm Passo alette Fin spacing			TC = 10°C ÷ -25 °C					
Modello	Type	F27HC	16-7	23-7	31-7	46-7	70-7	92-7
Potenza (R404A)	• TC 2,5 °C (ΔT1 10K)	W	1450	1850	3000	3700	5700	7600
Capacity	TC 0 °C (ΔT1 8K)	W	1050	1350	2200	2700	4200	5600
Portata d'aria	Air quantity	m³/h	1000	1000	2000	2000	3000	4000
Freccia d'aria	Air throw	m	11,5	11,5	13,5	13,5	15,5	17,0
Superficie esterna	External surface	m²	4,9	4,9	9,8	9,8	14,7	19,6
Superficie interna	Internal surface	m²	0,5	0,7	1,0	1,4	2,1	2,8
Peso	Weight	kg	10	11	17	19	26	32
DATI COMUNI / COMMON DATA								
Elettroventilatori	Fans	Ø 275 mm x n°	1 o	1 o	2 oo	2 oo	3 000	4 0000
Assorbimento motori	1~230 V 50 Hz	W	85	85	170	170	255	340
Motor power consumption		A	0,6	0,6	1,2	1,2	1,8	2,4
Assorbimento motori	EC 1~230 V 50 Hz	W	26	26	52	52	78	104
Motor power consumption		A	0,2	0,2	0,4	0,4	0,6	0,8
Sbrinamento	Defrost E 230 V	W	1220	1220	2160	2160	3080	4000
Volume circuito	Circuit volume	dm³	0,8	1,3	1,6	2,3	3,3	4,3
Attacchi entrata	Inlet connections	Ø mm	10	12	12	12	12	12
Attacchi uscita	Outlet connections	Ø mm	10	22	22	28	28	28
Dimensioni	Dimensions	A mm	678	678	1048	1048	1418	1788
		B mm	412	412	782	782	1152	1522

(*) Per altre condizioni vedere diagrammi. (*) For other conditions see diagrams.

EC = Motori con commutazione elettronica (1400 r.p.m.). Risparmio energia = ~ 70%. EC = Motors with electronic commutation (1400 r.p.m.). Energy saving = ~ 70%.



F30HC

Aerorevaporatori per celle frigorifere
Unit coolers for cold rooms



2550 ÷ 16300 W



4 = 4.5 mm Passo alette Fin spacing			TC = 10°C ÷ -25 °C						
Modello	Type	F30HC	411-4	412-4	421-4	422-4	431-4	432-4	442-4
Potenza (R404A)	● TC 2,5 °C (ΔT1 10K) W		3300	4050	6700	8050	9900	12350	16300
Capacity	TC 0 °C (ΔT1 8K) W		2450	3000	4950	5900	7300	9100	12000
Portata d'aria	Air quantity	m ³ /h	1450	1300	2900	2600	4350	3900	5200
Freccia d'aria	Air throw	m	16	14	19	17	22	20	21
Superficie esterna	External surface	m ²	8,9	13,3	17,8	26,6	26,7	39,9	53,2
Superficie interna	Internal surface	m ²	0,5	0,8	1,1	1,6	1,6	2,4	3,2
Peso	Weight	kg	23	25	39	44	56	63	82

6 = 6.0 mm Passo alette Fin spacing			TC = 10°C ÷ -25 °C						
Modello	Type	F30HC	511-6	512-6	521-6	522-6	531-6	532-6	542-6
Potenza (R404A)	● TC 2,5 °C (ΔT1 10K) W		2800	3600	5700	7250	8550	11000	14700
Capacity	TC 0 °C (ΔT1 8K) W		2050	2650	4200	5350	6300	8100	10800
Portata d'aria	Air quantity	m ³ /h	1500	1400	3000	2800	4500	4200	5600
Freccia d'aria	Air throw	m	17	15	20	18	23	21	22
Superficie esterna	External surface	m ²	6,8	10,2	13,6	20,4	20,4	30,6	40,8
Superficie interna	Internal surface	m ²	0,5	0,8	1,1	1,6	1,6	2,4	3,2
Peso	Weight	kg	22	24	38	42	54	60	78

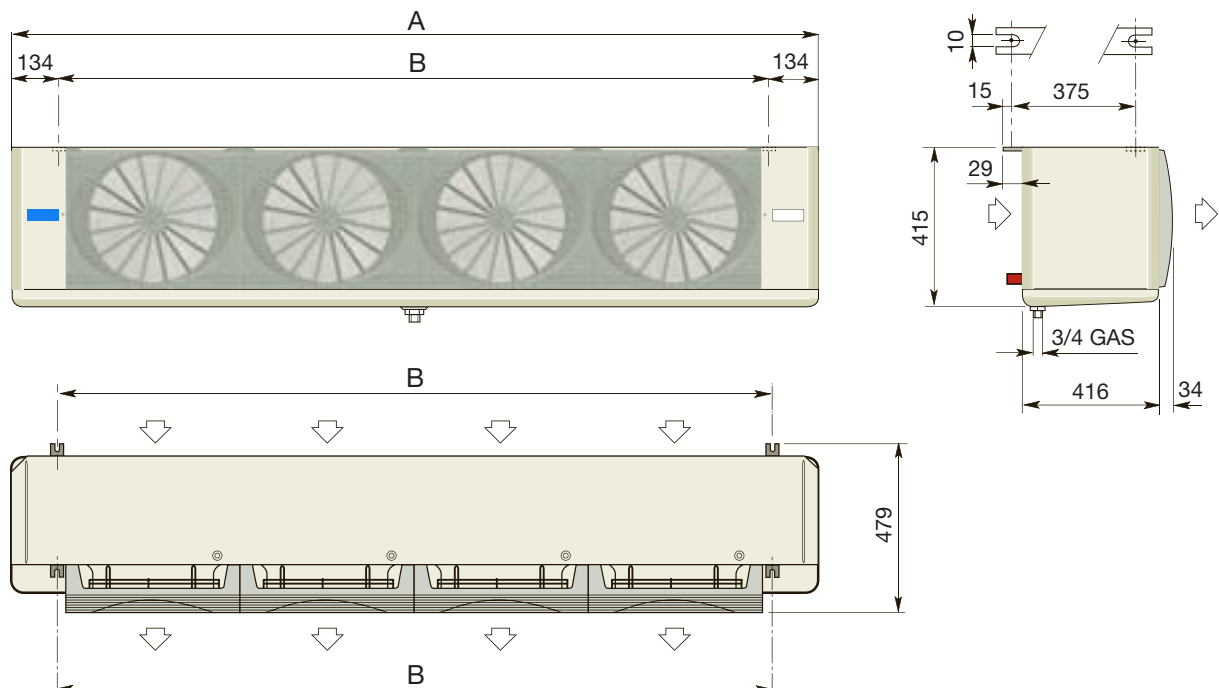
7 = 7.5 mm Passo alette Fin spacing			TC = 10°C ÷ -25 °C						
Modello	Type	F30HC	611-7	612-7	621-7	622-7	631-7	632-7	642-7
Potenza (R404A)	● TC 2,5 °C (ΔT1 10K) W		2550	3350	5150	6700	7700	10100	13500
Capacity	TC 0 °C (ΔT1 8K) W		1900	2450	3800	4950	5650	7450	9950
Portata d'aria	Air quantity	m ³ /h	1550	1450	3100	2900	4650	4350	5800
Freccia d'aria	Air throw	m	18	16	21	19	24	22	23
Superficie esterna	External surface	m ²	5,9	8,9	11,8	17,8	17,7	26,7	35,6
Superficie interna	Internal surface	m ²	0,5	0,8	1,1	1,6	1,6	2,4	3,2
Peso	Weight	kg	21	23	37	41	53	58	76

DATI COMUNI / COMMON DATA

Elettroventilatori	Fans	Ø 300 mm x n°	1 o	1 o	2 oo	2 oo	3 ooo	3 ooo	4 oooo	
Assorbimento motori	1-230 V 50 Hz	W	80	80	160	160	240	240	320	
Motor power consumption	A		0,35	0,35	0,7	0,7	1,05	1,05	1,4	
Assorbimento motori	EC 1-230 V 50 Hz	W	60	60	120	120	180	180	240	
Motor power consumption	A		0,5	0,5	1,0	1,0	1,5	1,5	2,0	
Sbrinamento	Defrost	E 230 V	W	1700	2550	2900	4300	4050	6050	7800
Volume circuito	Circuit volume	dm ³	1,5	2,3	2,8	4,2	4,1	6,3	8,1	
Attacchi entrata	Inlet connections	Ø mm	12	12	12	12	12	16	16	
Attacchi uscita	Outlet connections	Ø mm	16	18	18	22	22	35	35	
Dimensioni	Dimensions	A mm	760	760	1210	1210	1660	1660	2110	
		B mm	492	492	942	942	1392	1392	1842	

(*) Per altre condizioni vedere diagrammi. (*) For other conditions see diagrams.

EC = Motori con commutazione elettronica (1400 r.p.m.). Risparmio energia = ~ 25%. EC = Motors with electronic commutation (1400 r.p.m.). Energy saving = ~ 25%.



F35HC

Aeroevaporatori per celle frigorifere
Unit coolers for cold rooms



4000 ÷ 27500 W

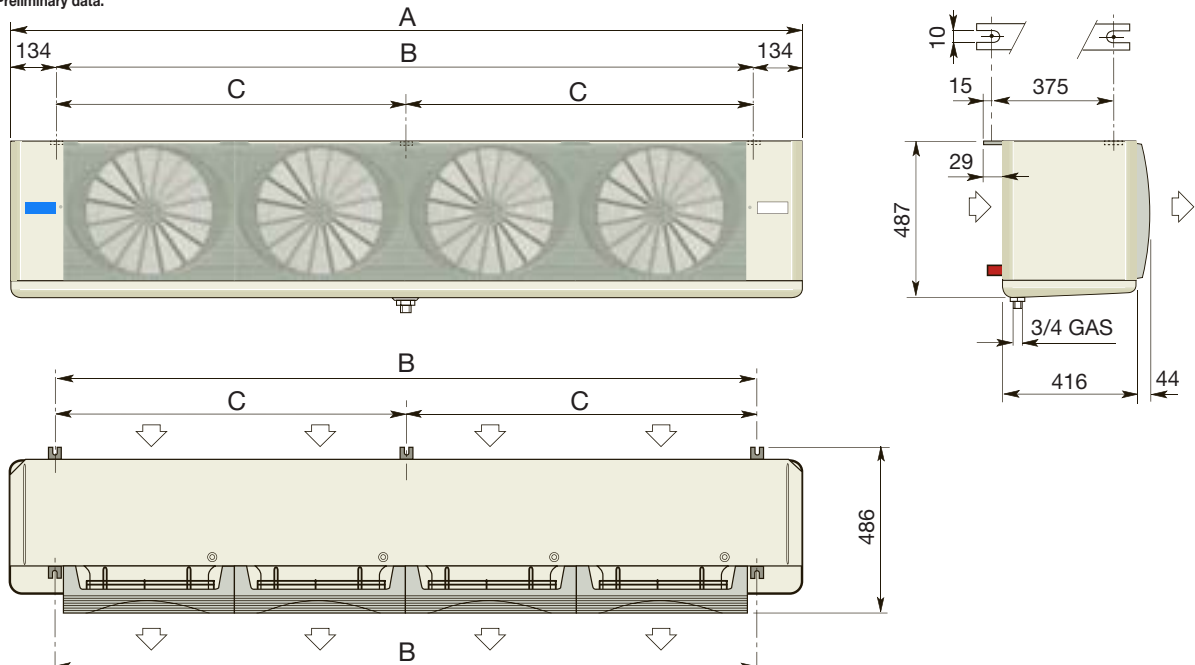


4 = 4.5 mm Passo alette Fin spacing		TC = 10°C ÷ -25 °C								
Modello	Type	F35HC	73-4	106-4	145-4	215-4	272-4	323-4	362-4	430-4
Potenza (R404A)	• TC 2,5 °C (ΔT1 10K) W		5400	6800	10900	13600	18700	20400	25100	27500
Capacity	TC 0 °C (ΔT1 8K) W		4000	5000	8000	10000	13750	15000	18500	20250
Portata d'aria	Air quantity	m ³ /h	2600	2400	5200	4800	7450	7200	9950	9600
Freccia d'aria	Air throw	m	19,5	18,0	23,0	22,0	26,0	25,0	30,0	29,0
Superficie esterna	External surface	m ²	13,1	19,7	26,2	39,4	49,1	59,1	65,5	78,8
Superficie interna	Internal surface	m ²	1,3	1,9	2,6	3,8	4,8	5,7	6,4	7,6
Peso	Weight	kg	27	32	44	51	65	71	86	93
6 = 6.0 mm Passo alette Fin spacing		TC = 10°C ÷ -25 °C								
Modello	Type	F35HC	59-6	84-6	117-6	174-6	218-6	261-6	290-6	348-6
Potenza (R404A)	• TC 2,5 °C (ΔT1 10K) W		4500	5900	9200	12000	16100	18000	21500	24000
Capacity	TC 0 °C (ΔT1 8K) W		3300	4350	6800	8850	11850	13250	15850	17650
Portata d'aria	Air quantity	m ³ /h	2650	2500	5300	5000	7700	7500	10300	10000
Freccia d'aria	Air throw	m	20,0	18,5	23,5	22,5	26,5	25,5	30,5	29,5
Superficie esterna	External surface	m ²	10,1	15,1	20,2	30,2	37,9	45,3	50,5	60,4
Superficie interna	Internal surface	m ²	1,3	1,9	2,6	3,8	4,8	5,7	6,4	7,6
Peso	Weight	kg	26	31	42	49	62	67	82	88
7 = 7.5 mm Passo alette Fin spacing		TC = 10°C ÷ -25 °C								
Modello	Type	F35HC	47-7	69-7	94-7	143-7	179-7	213-7	238-7	284-7
Potenza (R404A)	• TC 2,5 °C (ΔT1 10K) W		4000	5400	8200	11000	14600	16500	19400	22000
Capacity	TC 0 °C (ΔT1 8K) W		2950	4000	6050	8100	10750	12150	14300	16200
Portata d'aria	Air quantity	m ³ /h	2700	2600	5400	5200	7950	7800	10600	10400
Freccia d'aria	Air throw	m	20,5	19,0	24,0	23,0	27,0	26,0	31,0	30,0
Superficie esterna	External surface	m ²	8,7	13,1	17,4	26,2	32,6	39,3	43,5	52,4
Superficie interna	Internal surface	m ²	1,3	1,9	2,6	3,8	4,8	5,7	6,4	7,6
Peso	Weight	kg	25	30	41	47	60	65	79	85
DATI COMUNI / COMMON DATA										
Elettroventilatori	Fans	Ø 350 mm x n°	1 ○	1 ○	2 ○○	2 ○○	3 ○○○	3 ○○○	4 ○○○○	4 ○○○○
Assorbimento motori	W	1~230 V 50 Hz	175	175	350	350	525	525	700	700
Motor power consumption	A		0,8	0,8	1,6	1,6	2,4	2,4	3,2	3,2
Assorbimento motori	W *	EC 1~230 V 50 Hz	135	135	270	270	405	405	540	540
Motor power consumption	A *		1,1	1,1	2,2	2,2	3,3	3,3	4,4	4,4
Sbrinatorio	Defrost	E 230 V	W	2075	2975	3680	5280	7620	7620	9940
Volume circuito	Circuit volume		dm ³	2,1	3,2	4,0	6,0	7,4	8,7	11,5
Attacchi entrata	Inlet connections	Ø mm	12	12	12	16	16	16	16	22
Attacchi uscita	Outlet connections	Ø mm	28	28	28	28	35	35	42	42
Dimensioni	Dimensions	A mm	865	865	1420	1420	1975	1975	2530	2530
		B mm	597	597	1152	1152	1707	1707	2262	2262
		C mm	—	—	—	—	—	—	1131	1131

(*) Per altre condizioni vedere diagrammi. (*) For other conditions see diagrams.

EC = Motori con commutazione elettronica (1400 r.p.m.). Risparmio energia = ~ 23%. EC = Motors with electronic commutation (1400 r.p.m.). Energy saving = ~ 23%.

* Dati preliminari. * Preliminary data.



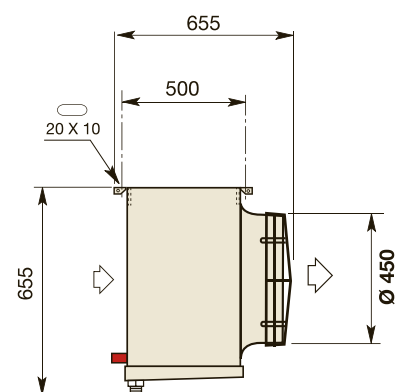
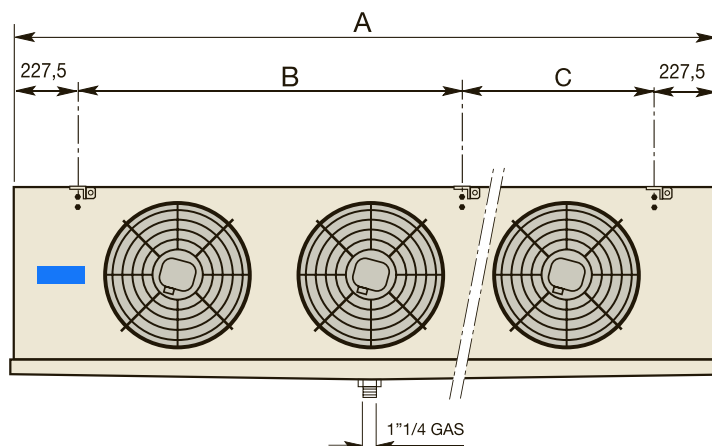
7,6 ÷ 57,6 kW



4 = 4.5 mm Passo alette Fin spacing			TC = 10°C ÷ -25 °C							
Modello	Type	F45HC	1100-4	1102-4	1106-4	1108-4	1112-4	1114-4	1118-4	1120-4
Potenza Capacity (R404A)	Type	● TC 2,5 °C (ΔT1 10K) kW	12,5	14,3	24,9	28,6	37,5	42,2	49,9	57,6
		TC 0 °C (ΔT1 8K) kW	9,2	10,5	18,3	21,0	27,6	31,1	36,7	42,4
Portata d'aria	Air quantity	m³/h	5200	4900	10400	9800	15600	14700	20800	19600
Freccia d'aria	Air throw	m	25	23	30	28	34	32	37	34
Superficie	Surface	m²	34	45,3	68,1	90,8	102,1	136,1	136,1	181,5
Attacchi	Connections	Entrata-uscita Inlet-outlet	Ø mm	16/35	16/35	16/42	16/42	28/54	28/54	28/64
Peso	Weight	kg	82	89	134	146	185	203	241	266
6 = 6.0 mm Passo alette Fin spacing			TC = 10°C ÷ -25 °C							
Modello	Type	F45HC	1200-6	1202-6	1206-6	1208-6	1212-6	1214-6	1218-6	1220-6
Potenza Capacity (R404A)	Type	● TC 2,5 °C (ΔT1 10K) kW	11,3	13,4	22,5	26,9	34,0	39,8	45,9	54,0
		TC 0 °C (ΔT1 8K) kW	8,3	9,9	16,6	19,8	25,0	29,3	33,8	39,7
Portata d'aria	Air quantity	m³/h	5400	5100	10800	10200	16200	15300	21600	20400
Freccia d'aria	Air throw	m	26	25	31	30	35	34	38	36
Superficie	Surface	m²	26,1	34,8	52,3	69,6	78,3	104,4	104,4	139,3
Attacchi	Connections	Entrata-uscita Inlet-outlet	Ø mm	16/35	16/35	16/42	16/42	28/54	28/54	28/64
Peso	Weight	kg	79	85	128	138	176	191	229	249
7 = 7.5 mm Passo alette Fin spacing			TC = 10°C ÷ -25 °C							
Modello	Type	F45HC	1300-7	1302-7	1306-7	1308-7	1312-7	1314-7	1318-7	1320-7
Potenza Capacity (R404A)	Type	● TC 2,5 °C (ΔT1 10K) kW	9,6	11,8	19,2	23,6	29,3	35,2	39,5	47,7
		TC 0 °C (ΔT1 8K) kW	7,1	8,7	14,1	17,4	21,6	25,9	29,1	35,1
Portata d'aria	Air quantity	m³/h	5600	5400	11200	10800	16800	16200	22400	21600
Freccia d'aria	Air throw	m	27	26	33	31	37	35	40	38
Superficie	Surface	m²	21,3	28,5	42,7	57	64	85,4	85,4	113,9
Attacchi	Connections	Entrata-uscita Inlet-outlet	Ø mm	16/35	16/35	16/42	16/42	16/42	28/54	28/64
Peso	Weight	kg	77	82	124	133	170	184	221	240
10 = 10.0 mm Passo alette Fin spacing			TC = 10°C ÷ -25 °C							
Modello	Type	F45HC	1400-10	1402-10	1406-10	1408-10	1412-10	1414-10	1418-10	1420-10
Potenza Capacity (R404A)	Type	● TC 2,5 °C (ΔT1 10K) kW	7,6	9,6	15,6	19,3	23,4	28,5	31,1	38,4
		TC 0 °C (ΔT1 8K) kW	5,6	7,1	11,5	14,2	17,2	21,0	22,9	28,3
Portata d'aria	Air quantity	m³/h	5800	5600	11600	11200	17400	16800	23200	22400
Freccia d'aria	Air throw	m	28	26	34	32	39	37	42	40
Superficie	Surface	m²	16,6	22,1	33,2	44,2	49,8	66,3	66,3	88,6
Attacchi	Connections	Entrata-uscita Inlet-outlet	Ø mm	16/35	16/35	16/35	16/42	16/42	28/54	28/64
Peso	Weight	kg	75	80	120	128	165	176	214	230
DATI COMUNI / COMMON DATA										
Elettroventilatori	Fans	Ø 450 mm x n°	1 o	1 o	2 oo	2 oo	3 ooo	3 ooo	4 oooo	4 oooo
Assorbimento motori Motor power consumption	1-230 V 50 Hz	W	520	520	1040	1040	1560	1560	2080	2080
		A	2,5	2,5	5,0	5,0	7,5	7,5	10,0	10,0
Sbrinamento Defrost	E 230 V G 230 V	kW	3,39	5,08	6,27	9,40	9,15	13,72	12,03	18,04
		kW	0,85	0,85	1,57	1,57	2,29	2,29	3,01	3,01
Volume circuito	Circuit volume	dm³	7,0	9,0	13,0	17,0	19,0	25,0	26,0	34,0
Dimensioni	Dimensions	A mm	1285	1285	2085	2085	2885	2885	3685	3685
		B mm	830	830	1630	1630	2430	2430	1600	1600
		C mm	—	—	—	—	—	—	1630	1630

(*) Per altre condizioni vedere diagrammi. Disponibili motori EC con commutazione elettronica (vedere Refriger).

(*) For other conditions see diagrams. EC motors with electronic commutation are available (see Refriger).





10,7 ÷ 81,9 kW

4 = 4.5 mm		Passo alette		Fin spacing		TC = 10°C ÷ -25 °C					
Modello	Type	4P Δ	F50HC	1600-4	1602-4	1606-4	1608-4	1612-4	1614-4	1618-4	1620-4
Potenza (R404A)	● TC 2,5 °C (ΔT1 10K)	kW		17,5	20,4	35,2	40,8	52,7	59,2	70,2	81,9
Capacity		TC 0 °C (ΔT1 8K)	kW	12,9	15,1	26,0	30,1	39,0	43,8	51,9	60,6
Portata d'aria	Air quantity		m ³ /h	7400	7000	14800	14000	22200	21000	29600	28000
Freccia d'aria	Air throw		m	32	30	39	36	43	41	47	44
Assorbimento motori	3~400 V 50 Hz	W		730	730	1460	1460	2190	2190	2920	2920
Motor power consumption		A		1,4	1,4	2,8	2,8	4,2	4,2	5,6	5,6
Superficie	Surface		m ²	47,6	63,5	95,3	127,1	142,9	190,5	190,5	254,1
Attacchi	Connections	Entrata-uscita Inlet-outlet	Ø mm	16/35	16/42	28/54	28/54	28/64	28/54	28/64	35/76
Peso	Weight		kg	108	117	175	194	242	269	302	339

6 = 6.0 mm		Passo alette		Fin spacing		TC = 10°C ÷ -25 °C					
Modello	Type	4P Δ	F50HC	1700-6	1702-6	1706-6	1708-6	1712-6	1714-6	1718-6	1720-6
Potenza (R404A)	● TC 2,5 °C (ΔT1 10K)	kW		15,8	18,9	31,7	38,0	47,6	55,4	64,2	76,2
Capacity		TC 0 °C (ΔT1 8K)	kW	11,6	13,9	23,4	28,1	35,2	41,0	47,5	56,3
Portata d'aria	Air quantity		m ³ /h	7600	7300	15200	14600	22800	21900	30400	29200
Freccia d'aria	Air throw		m	33	32	41	38	45	43	49	47
Assorbimento motori	3~400 V 50 Hz	W		700	730	1400	1460	2100	2190	2800	2920
Motor power consumption		A		1,4	1,4	2,8	2,8	4,2	4,2	5,6	5,6
Superficie	Surface		m ²	36,5	48,7	73	97,5	109,7	146,2	146,2	194,9
Attacchi	Connections	Entrata-uscita Inlet-outlet	Ø mm	16/35	16/42	28/54	28/54	28/64	28/5	28/64	35/76
Peso	Weight		kg	103	111	166	182	228	250	284	315

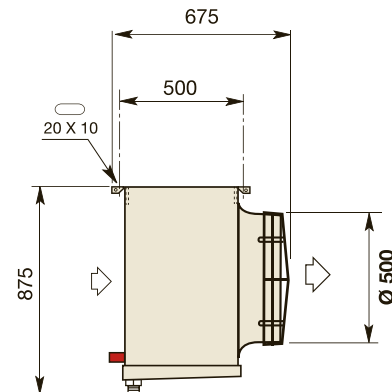
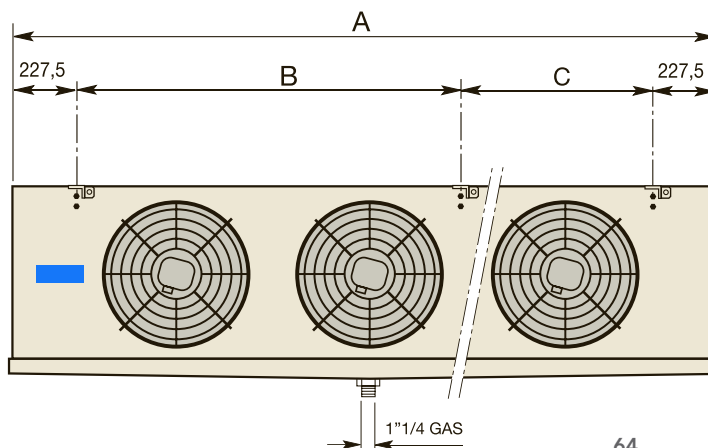
7 = 7.5 mm		Passo alette		Fin spacing		TC = 10°C ÷ -25 °C					
Modello	Type	4P Δ	F50HC	1800-7	1802-7	1806-7	1808-7	1812-7	1814-7	1818-7	1820-7
Potenza (R404A)	● TC 2,5 °C (ΔT1 10K)	kW		13,5	16,6	27,0	33,4	41,2	48,8	54,9	66,8
Capacity		TC 0 °C (ΔT1 8K)	kW	9,9	12,2	19,9	24,7	30,4	36,1	40,6	49,4
Portata d'aria	Air quantity		m ³ /h	7800	7600	15600	15200	23400	22800	31200	30400
Freccia d'aria	Air throw		m	35	32	42	39	47	44	51	48
Assorbimento motori	3~400 V 50 Hz	W		700	700	1400	1400	2100	2100	2800	2800
Motor power consumption		A		1,4	1,4	2,8	2,8	4,2	4,2	5,6	5,6
Superficie	Surface		m ²	29,9	39,8	59,7	79,8	89,7	119,6	119,6	159,4
Attacchi	Connections	Entrata-uscita Inlet-outlet	Ø mm	16/35	16/42	28/54	28/54	28/54	28/54	28/64	35/76
Peso	Weight		kg	100	108	160	174	220	240	273	300

10 = 10.0 mm		Passo alette		Fin spacing		TC = 10°C ÷ -25 °C					
Modello	Type	4P Δ	F50HC	1900-10	1902-10	1906-10	1908-10	1912-10	1914-10	1918-10	1920-10
Potenza (R404A)	● TC 2,5 °C (ΔT1 10K)	kW		10,7	13,4	21,3	27,0	32,9	40,3	43,7	54,1
Capacity		TC 0 °C (ΔT1 8K)	kW	7,9	9,9	15,7	19,9	24,3	29,8	32,3	40,0
Portata d'aria	Air quantity		m ³ /h	8100	7800	16200	15600	24300	23400	32400	31200
Freccia d'aria	Air throw		m	35	34	43	42	48	47	52	51
Assorbimento motori	3~400 V 50 Hz	W		700	700	1400	1400	2100	2100	2800	2800
Motor power consumption		A		1,4	1,4	2,8	2,8	4,2	4,2	5,6	5,6
Superficie	Surface		m ²	23,2	31	46,4	61,9	69,7	93	93	123,9
Attacchi	Connections	Entrata-uscita Inlet-outlet	Ø mm	16/35	16/42	28/54	28/54	28/54	28/54	28/64	35/76
Peso	Weight		kg	98	104	155	167	212	230	262	286

DATI COMUNICOMMON DATA

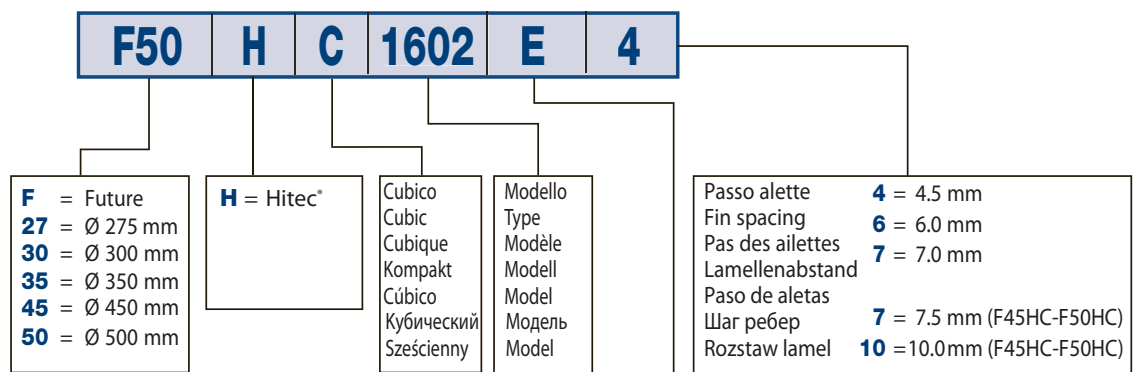
Elettroventilatori	Fans	Ø 500 mm x n°	1 o	1 o	2 o o	2 o o	3 o o o	3 o o o	4 o o o o	4 o o o o
Sbrinatorio	E 230 V	kW	4,24	5,93	7,84	10,97	11,44	16,01	15,04	21,05
Defrost	G 230 V	kW	0,85	0,85	1,57	1,57	2,29	2,29	3,01	3,01
Livello pressione sonora	Sound pressure level	dB(A) Total	57	57	60	60	62	62	63	63
Volume circuito	Circuit volume	dm ³	10,0	13,0	19,0	25,0	28,0	36,0	36,0	49,0
Dimensioni	Dimensions	A mm	1285	1285	2085	2085	2885	2885	3685	3685
		B mm	830	830	1630	1630	2430	2430	1600	1600
		C mm	—	—	—	—	—	—	1630	1630

(●) Per altre condizioni vedere diagrammi. Disponibili motori EC con commutazione elettronica (vedere Refriger).
(●) For other conditions see diagrams. EC motors with electronic commutation are available (see Refriger).





**Esempio di ordinazione / Exemple de commande / Ordering example / Typenschlüssel / Ejemplo de pedido
Пример заказа / Nomenclatura**



N = Sbrinamento ad aria E = Sbrinamento elettrico G = Sbrinamento a gas caldo per batteria ed elettrico nella bacinella (F45HC-F50HC)	N = Air defrost E = Electric defrost G = Hot gas defrost for the coil and electr. defrost in the drain tray (F45HC-F50HC)	N = Dégivrage à air E = Dégivrage électrique G = Dégivrage à gaz chaud pour la batterie et électrique dans l'égouttoire (F45HC-F50HC)	N = Luftabtauung E = Elektrische Abtauung G = Heissgasabtauung für die Batterie und elektrische Abtauung in der Tropfschale (F45HC-F50HC)
N = Aire descongelación E = Desescarche eléctrico G = Descongelación con gas caliente y eléctrica de la batería en la bandeja (F45HC-F50HC)	N = Air размораживание E = Электрическая оттайка G = Размораживание горячим газом и электрической батареи в трее (F45HC-F50HC)	N = Odszranianie powietrzem E = Odszranianie elektryczne G = Odszranianie gorącym gazem w wymienniku i elektryczne w tacy (F45HC-F50HC)	

Disponibili anche versioni per:
 Versions available:
 Versions disponibles pour:
 Verfügbare Versionen:
 Versiones disponibles:
 Доступные версии:
 Dostępne wersje na:

GLYCOL **NH₃** **CO₂**

NEW DUAL DISCHARGE UNIT COOLERS FOR COLD ROOMS

- Highest energy efficiency with EC fans as standard equipment
- Great flexibility thanks to two-speed fan
- Less noise for all applications
- New structure in highly resistant synthetic material

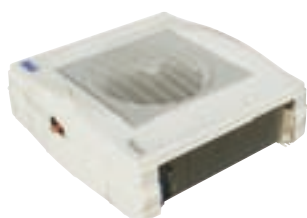




FHD

New

1,5 ÷ 81,9 kW - 127 models



S = high speed 1100 rpm
L = low speed 870 rpm

Modello	Type	FHD (3= 3,0 mm)		711-3		712-3		721-3		722-3		732-3		742-3	
				S	L	S	L	S	L	S	L	S	L	S	L
Potenza	(R404A)	TC 2,5 °C ΔT1 10K	W	3800	3350	5350	4550	7650	6750	10750	9150	15900	13650	19800	17300
Capacity		TC 0 °C (ΔT1 8 K)	W	2800	2470	3940	3350	5630	4970	7910	6730	11700	10050	14570	12730
Portata aria	Air quantity		m ³ /h	1800	1400	1800	1400	3600	2800	3600	2800	5400	4200	7200	5500
Freccia d'aria	Air throw		m	11	8	11	8	12	10	12	10	14	11	15	11
Classe energetica	Energy class			A	A++	A+	A++	A	A++	A+	A++	A+	A++	A+	A++
Superficie esterna	External surface		m	19,2		19,2		38,4		38,4		57,6		76,8	
Superficie interna	Internal surface		m	0,7		1,3		1,3		2,6		3,8		5,1	
Peso	Weight		kg	22,8		24,3		38,8		41,5		58,9		76,3	

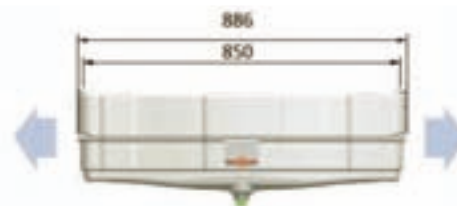
Modello	Type	FHD (4= 4,5 mm)		811-4		812-4		821-4		822-4		832-4		842-4	
				S	L	S	L	S	L	S	L	S	L	S	L
Potenza	(R404A)	TC 2,5 °C ΔT1 10K	W	3100	2750	4550	4000	6200	5500	9100	7950	13750	12050	17650	15600
Capacity		TC 0 °C (ΔT1 8 K)	W	2280	2020	3350	2940	4560	4050	6700	5850	10120	8870	12990	11480
Portata aria	Air quantity		m ³ /h	1900	1500	1900	1500	3800	2900	3800	2900	5700	4400	7600	5900
Freccia d'aria	Air throw		m	11	9	11	9	13	10	13	10	14	11	15	12
Classe energetica	Energy class			A	A++	A+	A++	A	A++	A+	A++	A+	A++	A+	A++
Superficie esterna	External surface		m	13,1		13,1		26,2		26,2		39,3		52,4	
Superficie interna	Internal surface		m	0,7		1,3		1,3		2,6		3,8		5,1	
Peso	Weight		kg	20,8		22,3		34,9		37,6		53,0		68,5	

Modello	Type	FHD (7= 7,0 mm)		911-7		912-7		921-7		922-7		932-7		942-7	
				S	L	S	L	S	L	S	L	S	L	S	L
Potenza	(R404A)	TC 2,5 °C ΔT1 10K	W	2200	2000	3450	3050	4400	4000	6850	6100	10550	9350	13900	12400
Capacity		TC 0 °C (ΔT1 8 K)	W	1620	1470	2540	2240	3240	2940	5040	4490	7760	6880	10230	9130
Portata aria	Air quantity		m ³ /h	2000	1600	2000	1600	4000	3100	4000	3100	6000	4700	8000	6200
Freccia d'aria	Air throw		m	12	9	12	9	14	11	14	11	15	12	16	13
Classe energetica	Energy class			B	A++	A+	A++	B	A++	A+	A++	A+	A++	A+	A++
Superficie esterna	External surface		m	8,7		8,7		17,5		17,5		26,2		34,9	
Superficie interna	Internal surface		m	0,7		1,3		1,3		2,6		3,8		5,1	
Peso	Weight		kg	19,3		20,8		31,9		34,6		48,4		62,4	

DATI COMUNI / COMMON DATA

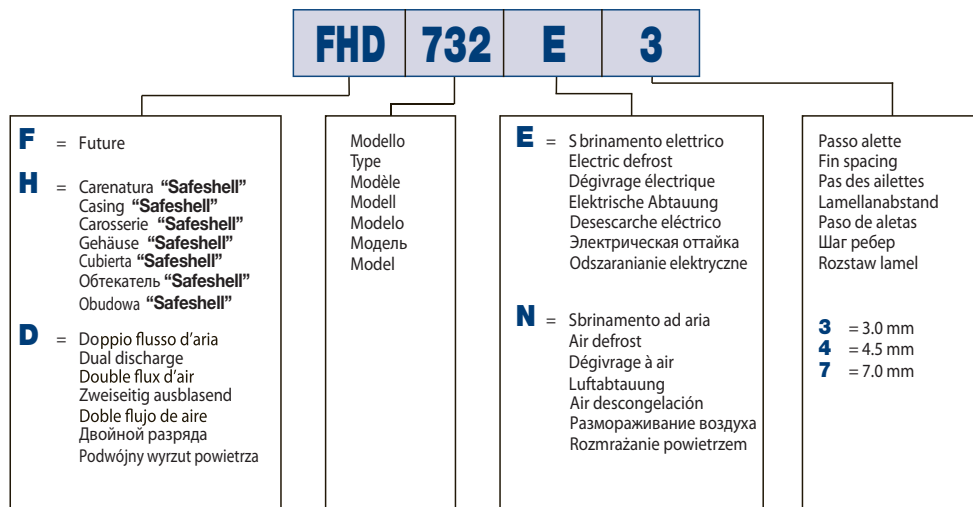
				S	L	S	L	S	L	S	L	S	L	S	L
Ventilatori	Fans	Ø 350 mm	n°	1 0		1 0		2 00		2 00		3 000		4 0000	
Assorbimento motori	Motor power consumption	1~230 V 50 Hz	W	82	40	82	40	164	80	164	80	246	120	328	160
			A	0,7	0,4	0,7	0,4	1,4	0,8	1,4	0,8	2,1	1,2	2,8	1,6
Sbrinamento	Defrost	E 230 V	W	1800		1800		3200		3200		4700		6200	
Volume circuito	Circuit volume		dm ³	1,1		2,3		2,1		4,2		6,1		7,9	
Potenza sonora	Sound power level		db (A)	70	63	70	63	73	66	73	66	75	68	76	69
Attacchi	Connections		mm	12/22		12/28		12/28		16/35		16/35		16/35	
			A mm	888		888		1443		1443		1998		2553	
			B mm	596		596		1151		1151		1706		2261	
Dimensioni	Dimensions		C mm	-		-		-		-		-		1130	

Ventilatore elettronico a 2 velocità (S=1100 rpm, L=870 rpm), per collegamento vedere istruzioni di montaggio.
2 speed electronic fan (S=1100 rpm, L=870 rpm): see assembly instructions for connections.





**Esempio di ordinazione / Exemple de commande / Ordering example / Typenschlüssel / Ejemplo de pedido
Пример заказа / Nomenclatura**



Disponibili anche versioni per:
Versions available:
Versions disponibles pour:
Verfügbare Versionen:
Versiones disponibles:
Доступные версии:
Dostępne wersje na:

GLYCOL

NH₃

CO₂

DUAL DISCHARGE UNIT COOLERS FOR COLD ROOMS

- "N" normal ventilation for cold rooms
- "S" low ventilation and low noise for laboratoires, work rooms and packing areas



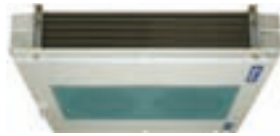


● **BHD-SHD**

● **BMD-SMD**

2050 ÷ 22000 W - 84 models

2350 ÷ 22000 W



32 = 3.0 mm Passo alette Fin spacing		TC = 10°C ÷ 0 °C							
Modello	Type	BHDN-SHDN-BMDN-SMDN	57-32	85-32	126-32	169-32	253-32	338-32	423-32
Potenza (R404A) Capacity	● TC 2,5 °C (ΔT1 10K) W		3950	4800	6450	9600	14700	18900	22000
	TC 0 °C (ΔT1 8K) W		2900	3550	4750	7100	10900	14000	16300
Portata d'aria	Air quantity	m³/h	1600	1600	1850	3200	4800	6400	8000
Freccia d'aria	Air throw	m	2x9	2x9	2x7	2x11	2x12	2x13	2x14
Superficie esterna	External surface	m²	15,6	15,6	26,0	31,2	46,7	62,3	77,9
Superficie interna	Internal surface	m²	0,7	1,1	1,8	2,2	3,3	4,4	5,5
Peso Weight	BHDN-SHDN	kg	21,0	22,0	26,0	37,5	53,0	68,5	84,0
	BMDN-SMDN	kg	28,2	29,1	37,2	44,8	64,7	80,5	97,1

50 = 4.5 mm Passo alette Fin spacing		TC = 10°C ÷ 0 °C							
Modello	Type	BHDN-SHDN-BMDN-SMDN	37-50	56-50	82-50	111-50	166-50	222-50	278-50
Potenza (R404A) Capacity	● TC 2,5 °C (ΔT1 10K) W		3200	4000	5550	8000	12400	16500	19500
	TC 0 °C (ΔT1 8K) W		2350	2950	4100	5900	9200	12200	14450
Portata d'aria	Air quantity	m³/h	1750	1750	1950	3500	5250	7000	8750
Freccia d'aria	Air throw	m	2x10	2x10	2x7,5	2x12	2x13,5	2x14,5	2x15,5
Superficie esterna	External surface	m²	10,6	10,6	17,7	21,2	31,9	42,5	53,1
Superficie interna	Internal surface	m²	0,7	1,1	1,8	2,2	3,3	4,4	5,5
Peso Weight	BHDN-SHDN	kg	19,5	20,5	23,5	34,5	48,5	62,5	76,5
	BMDN-SMDN	kg	26,6	27,5	34,5	41,6	59,3	74,1	89,1

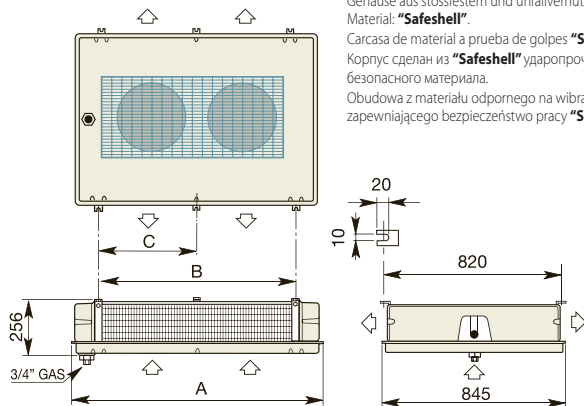
80 = 7.0 mm Passo alette Fin spacing		TC = 10°C ÷ 0 °C							
Modello	Type	BHDN-SHDN-BMDN-SMDN	25-80	36-80	53-80	72-80	108-80	144-80	180-80
Potenza (R404A) Capacity	● TC 2,5 °C (ΔT1 10K) W		2350	3000	4200	5950	9400	12600	15500
	TC 0 °C (ΔT1 8K) W		1750	2200	3100	4400	6950	9300	11450
Portata d'aria	Air quantity	m³/h	1900	1900	2000	3800	5700	7600	9500
Freccia d'aria	Air throw	m	2x11	2x11	2x8	2x13	2x14,5	2x16	2x17
Superficie esterna	External surface	m²	7,1	7,1	11,8	14,2	21,3	28,3	35,2
Superficie interna	Internal surface	m²	0,7	1,1	1,8	2,2	3,3	4,4	5,5
Peso Weight	BHDN-SHDN	kg	18,5	19,5	22,0	32,5	45,5	58,5	71,5
	BMDN-SMDN	kg	25,5	26,3	32,4	39,1	55,6	69,1	82,8

DATI COMUNI / COMMON DATA

Elettroventilatori	Fans	Ø 330 mm x n°	1 o	1 o	1 o	2 oo	3 ooo	4 oooo	5 ooooo
Assorbimento motori Motor power consumption	4P 1-230 V 50 Hz	W	135	135	135	270	405	540	675
		A	0,6	0,6	0,6	1,2	1,8	2,4	3,0
Sbrinatorio	Defrost	E 230 V	1300	1300	2000	2400	3540	4760	5800
Volume circuito	Circuit volume	dm³	1,3	1,9	2,9	3,5	5,0	6,7	8,2
Attacchi entrata	Inlet connections	Ø mm	12	12	12	16	16	16	16
Attacchi uscita	Outlet connections	Ø mm	22	28	28	35	35	35	35
Dimensioni	Dimensions	A mm	740	740	1040	1190	1640	2090	2540
		B mm	485	485	785	935	1385	1835	2285
		C mm	—	—	—	—	—	—	1143
		D mm	711	711	1011	1161	1611	2061	2511

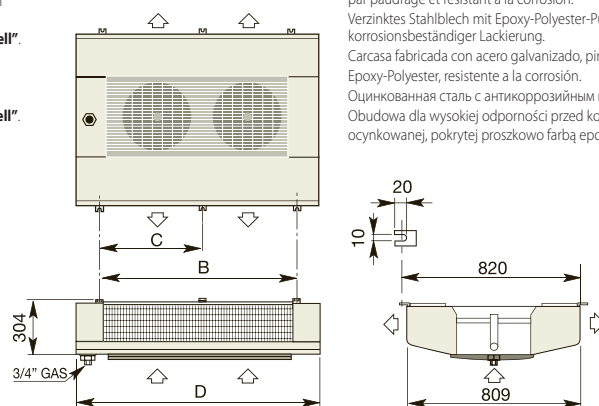
(●) Per altre condizioni vedere diagrammi (●) For other conditions see diagrams

**...H...
BHDN - SHDN**



Carenatura di materiale antiurto e antinfurtunistico "Safeshell".
Casing manufactured from "Safeshell" shock resistant safety material.
Carrosserie en matériau antichocs "Safeshell".
Gehäuse aus stoßfestem und unfallverhütendem Material: "Safeshell".
Carcasa de material a prueba de golpes "Safeshell".
Корпус сделан из "Safeshell" ударопрочного безопасного материала.
Obudowa z materiału odpornego na wibracje i zapewniającego bezpieczeństwo pracy "Safeshell".

**...M...
BMDN - SMDN**



Carenatura realizzata con acciaio zincato verniciata a polvere Epoxy-Polyester resistente alla corrosione.
Steel galvanised casing with Epoxy-Polyester powder coating corrosion resistant.
Carrosserie construite en acier galvanisé, avec peinture Epoxy-Polyester par poudrage et résistant à la corrosion.
Verzinktes Stahlblech mit Epoxy-Polyester-Pulverbeschichtung und korrosionsbeständiger Lackierung.
Carcasa fabricada con acero galvanizado, pintado con polvo de Epoxy-Polyester, resistente a la corrosión.
Оцинкованная сталь с антикоррозийным покрытием Epoxy-Polyester.
Obudowa dla wysokiej odporności przed korozją, wykonana jest ze stali ocynkowanej, pokrytej proszkowo farbą epoksy-poliesterową.



**Esempio di ordinazione / Exemple de commande / Ordering example / Typenschlüssel / Ejemplo de pedido
Пример заказа / Nomenclatura**

BHD N 166 E 50

B = Benefit
S = Super
H = Carenatura "Safeshell"
 Casing "Safeshell"
 Carrosserie "Safeshell"
 Gehäuse "Safeshell"
 Cubierta "Safeshell"
 Обтекатель "Safeshell"
 Obudowa "Safeshell"
M = Carenatura metallica
 Metal casing
 Carrosserie métallique
 Metallgehäuse
 Carenado de metal
 Металлический корпус
 Metalowa obudowa
D = Doppio flusso d'aria
 Dual discharge
 Double flux d'air
 Zweiseitig ausblasend
 Doble flujo de aire
 Двойной разряда
 Podwójny wyrzut powietrza

N = Ventilazione normale
 Normal air velocity
 Ventilation normale
 Normale Belüftung
 Ventilación normal
 Нормальная вентиляция
 Normalna wentylacja
S = Bassa ventilazione e bassa rumorosità
 Low air velocity and low noise
 Ventilation réduite et faible niveau sonore
 Schwache Belüftung und niedriger Geräuschpegel
 Ventilación baja y bajo nivel de ruido
 Низкая вентиляции и низкий уровень шума
 Niska wentylacja i niski poziom hałasu

Modello
 Type
 Modèle
 Modell
 Modelo
 Модель
 Model

E = Sbrinamento elettrico
 Electric defrost
 Dégivrage électrique
 Elektrische Abtauung
 Desescarche eléctrico
 Электрическая оттайка
 Odszarzanie elektryczne
N = Sbrinamento ad aria
 Air defrost
 Dégivrage à air
 Luftabtauung
 Air descongelación
 Размораживание воздуха
 Rozmrażanie powietrzem

Passo alette
 Fin spacing
 Pas des ailettes
 Lamellanabstand
 Paso de aletas
 Шаг ребер
 Rozstaw lamel
32 = 3.0 mm
50 = 4.5 mm
80 = 7.0 mm

Disponibili anche versioni per:
 Versions available:
 Versions disponibles pour:
 Verfügbare Versionen:
 Versiones disponibles:
 Доступные версии:
 Dostępne wersje na:

GLYCOL

NH₃

CO₂

2050 ÷ 18300 W



32 = 3.0 mm Passo alette Fin spacing		TC = 10°C ÷ 0 °C							
Modello	Type	BHDS-SHDS-BMDS-SMDS	52-32	74-32	114-32	146-32	221-32	294-32	368-32
Potenza (R404A)	● TC 2,5 °C (ΔT1 10K) W		3250	3900	5050	7700	11800	15400	18300
Capacity	TC 0 °C (ΔT1 8K) W		2400	2900	3750	5700	8750	11400	13500
Portata d'aria	Air quantity	m ³ /h	1100	1100	1300	2200	3300	4400	5500
Freccia d'aria	Air throw	m	2x6	2x6	2x5	2x27	2x8	2x8,5	2x9
Superficie esterna	External surface	m ²	15,6	15,6	26,0	31,2	46,7	62,3	77,9
Superficie interna	Internal surface	m ²	0,7	1,1	1,8	2,2	3,3	4,4	5,5
Peso	BHDS-SHDS	kg	21,0	22,0	26,0	37,5	53,0	68,5	84,0
Weight	BMDN-SMDN	kg	28,2	29,1	37,2	44,8	64,7	80,5	97,1

50 = 4.5 mm Passo alette Fin spacing		TC = 10°C ÷ 0 °C							
Modello	Type	BHDS-SHDS-BMDS-SMDS	35-50	49-50	73-50	98-50	148-50	196-50	245-50
Potenza (R404A)	● TC 2,5 °C (ΔT1 10K) W		2750	3350	4450	6700	10350	13700	16500
Capacity	TC 0 °C (ΔT1 8K) W		2050	2500	3300	4950	7650	10150	12200
Portata d'aria	Air quantity	m ³ /h	1250	1250	1400	2500	3750	5000	6250
Freccia d'aria	Air throw	m	2x7	2x7	2x5,5	2x8	2x9	2x9,5	2x10
Superficie esterna	External surface	m ²	10,6	10,6	17,7	21,2	31,9	42,5	53,1
Superficie interna	Internal surface	m ²	0,7	1,1	1,8	2,2	3,3	4,4	5,5
Peso	BHDS-SHDS	kg	19,5	20,5	23,5	34,5	48,5	62,5	76,5
Weight	BMDN-SMDN	kg	26,6	27,5	34,5	41,6	59,3	74,1	89,1

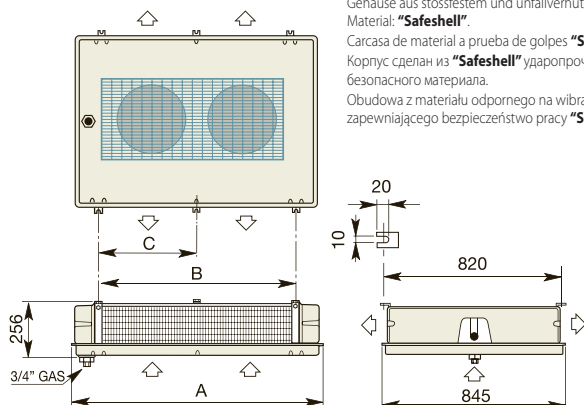
80 = 7.0 mm Passo alette Fin spacing		TC = 10°C ÷ 0 °C							
Modello	Type	BHDS-SHDS-BMDS-SMDS	21-80	31-80	46-80	62-80	93-80	124-80	155-80
Potenza (R404A)	● TC 2,5 °C (ΔT1 10K) W		2050	2550	3500	5100	7950	10700	13350
Capacity	TC 0 °C (ΔT1 8K) W		1500	1900	2600	3750	5900	7900	9900
Portata d'aria	Air quantity	m ³ /h	1350	1350	1430	2700	4050	5400	6750
Freccia d'aria	Air throw	m	2x8	2x8	2x6	2x9	2x10	2x10,5	2,11
Superficie esterna	External surface	m ²	7,1	7,1	11,8	14,2	21,3	28,3	35,2
Superficie interna	Internal surface	m ²	0,7	1,1	1,8	2,2	3,3	4,4	5,5
Peso	BHDS-SHDS	kg	18,5	19,5	22,0	32,5	45,5	58,5	71,5
Weight	BMDS-SMDS	kg	25,5	26,3	32,4	39,1	55,6	69,1	82,8

DATI COMUNI / COMMON DATA

Elettroventilatori	Fans	Ø 330 mm x n°	1 o	1 o	1 o	2 oo	3 ooo	4 oooo	5 ooooo	
Assorbimento motori	6P	1~230 V 50 Hz	W	85	85	85	170	255	340	425
Motor power consumption			A	0,31	0,31	0,31	0,62	0,93	1,24	1,55
Sbrinatorio	Defrost	E 230 V	W	1300	1300	2000	2400	3540	4760	5800
Volume circuito	Circuit volume		dm ³	1,3	1,9	2,9	3,5	5,0	6,7	8,2
Attacchi entrata	Inlet connections		Ø mm	12	12	12	16	16	16	16
Attacchi uscita	Outlet connections		Ø mm	22	28	28	35	35	35	35
Dimensioni	Dimensions	A mm	740	740	1040	1190	1640	2090	2540	
		B mm	485	485	785	935	1385	1835	2285	
		C mm	—	—	—	—	—	—	1143	
		D mm	711	711	1011	1161	1611	2061	2511	

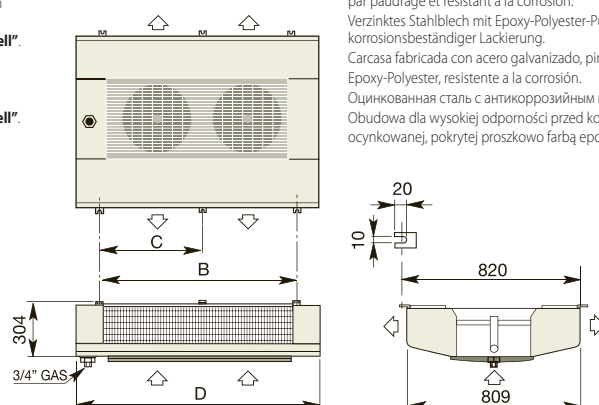
(●) Per altre condizioni vedere diagrammi (●) For other conditions see diagrams

...H... BHDS - SHDS



Carenatura di materiale antiurto e antinfurtunistico "Safeshell".
Casing manufactured from "Safeshell" shock resistant safety material.
Carrosserie en matériau antichocs "Safeshell".
Gehäuse aus stossfestem und unfallverhütendem Material: "Safeshell".
Carcasa de material a prueba de golpes "Safeshell".
Корпус сделан из "Safeshell" ударопрочного безопасного материала.
Obudowa z materiału odpornego na wibracje i zapewniającego bezpieczeństwo pracy "Safeshell".

...M... BMDS - SMDS



Carenatura realizzata con acciaio zincato verniciata a polvere Epoxy-Polyester resistente alla corrosione.
Steel galvanised casing with Epoxy-Polyester powder coating corrosion resistant.
Carrosserie construite en acier galvanisé, avec peinture Epoxy-Polyester par poudrage et résistant à la corrosion.
Verzinktes Stahlblech mit Epoxy-Polyester-Pulverbeschichtung und korrosionsbeständiger Lackierung.
Carcasa fabricada con acero galvanizado, pintado con polvo de Epoxy-Polyester, resistente a la corrosión.
Оцинкованная сталь с антикоррозийным покрытием Epoxy-Polyester.
Obudowa dla wysokiej odporności przed korozją, wykonana jest ze stali ocynkowanej, pokrytej proszkowo farbą epoksy-poliesterową.



**Esempio di ordinazione / Exemple de commande / Ordering example / Typenschlüssel / Ejemplo de pedido
Пример заказа / Nomenclatura**

SMD S 221 N 32

B = Benefit
S = Super
H = Carenatura "Safeshell"
 Casing "Safeshell"
 Carrosserie "Safeshell"
 Gehäuse "Safeshell"
 Cubierta "Safeshell"
 Обтекатель "Safeshell"
 Obudowa "Safeshell"
M = Carenatura metallica
 Metal casing
 Carrosserie métallique
 Metallgehäuse
 Carenado de metal
 Металлический корпус
 Metalowa obudowa
D = Doppio flusso d'aria
 Dual discharge
 Double flux d'air
 Zweiseitig ausblasend
 Doble flujo de aire
 Двойной разряда
 Podwójny wyrzut powietrza

N = Ventilazione normale
 Normal air velocity
 Ventilation normale
 Normale Belüftung
 Ventilación normal
 Нормальная вентиляция
 Normalna wentylacja
S = Bassa ventilazione e bassa rumorosità
 Low air velocity and low noise
 Ventilation réduite et faible niveau sonore
 Schwache Belüftung und niedriger Geräuschpegel
 Ventilación baja y bajo nivel de ruido
 Низкая вентиляция и низкий уровень шума
 Niska wentylacja i niski poziom hałasu

Modello
 Type
 Modèle
 Modell
 Modelo
 Модель
 Model

E = Sbrinamento elettrico
 Electric defrost
 Dégivrage électrique
 Elektrische Abtauung
 Desescarche eléctrico
 Электрическая оттайка
 Odszarzanie elektryczne
N = Sbrinamento ad aria
 Air defrost
 Dégivrage à air
 Luftabtauung
 Air descongelación
 Размораживание воздуха
 Rozmrażanie powietrzem

Passo alette
 Fin spacing
 Pas des ailettes
 Lamellenabstand
 Paso de aletas
 Шар ребер
 Rozstaw lamel
32 = 3.0 mm
50 = 4.5 mm
80 = 7.0 mm

Disponibili anche versioni per:
 Versions available:
 Versions disponibles pour:
 Verfügbare Versionen:
 Versiones disponibles:
 Доступные версии:
 Dostępne wersje na:

GLYCOL **NH₃** **CO₂**

ANGLED UNIT COOLERS FOR COLD ROOMS

- Protective steel casing
- High energy efficiency





● **BMA-SMA**

1950 ÷ 12350 W - 20 models

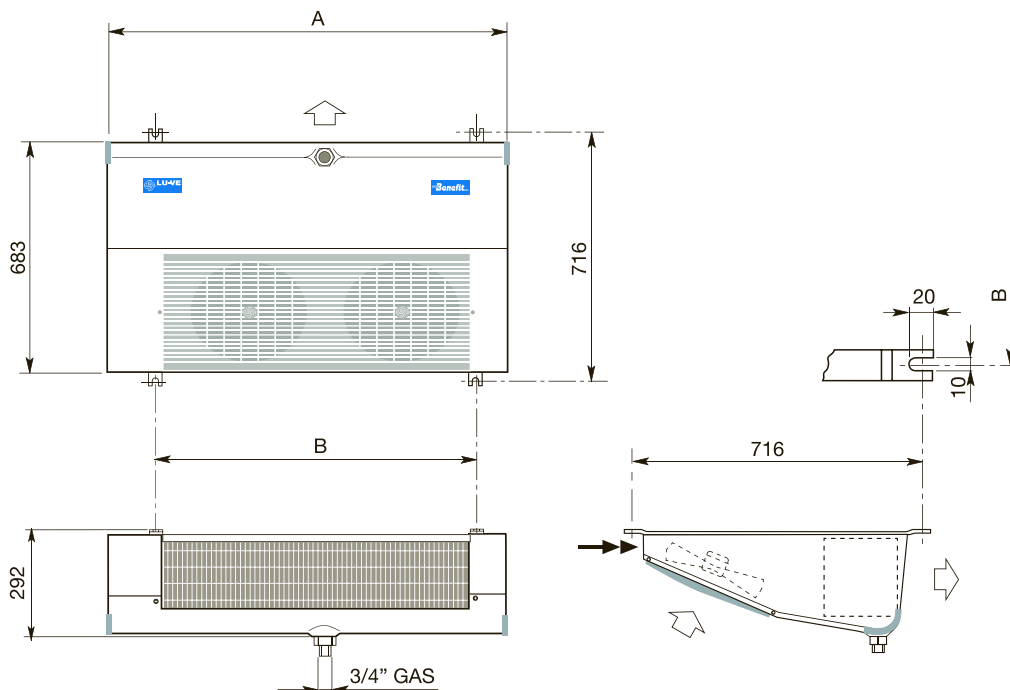
1950 ÷ 12350 W



45 = 4.5 mm		Passo alette		Fin spacing		TC = 10°C ÷ -18 °C											
Modello	Type	BMA-SMA	211	212	213	214	221	222	231	232	241	242					
Potenza (R404A)	• TC 2,5 °C (ΔT1 10K)	W	2600	3250	3450	4200	5050	6200	7650	9350	10300	12350					
Capacity	TC 0 °C (ΔT1 8K)	W	1900	2400	2550	3100	3750	4600	5650	6900	7600	9150					
Portata d'aria	Air quantity	m³/h	1200	1100	1400	1300	2400	2200	3600	3300	4800	4400					
Freccia d'aria	Air throw	m	10	9	9	9	12	11	13	12	14	13					
Superficie esterna	External surface	m²	6.6	9.8	10.6	15.9	13.1	19.7	19.7	29.5	26.2	39.3					
Superficie interna	Internal surface	m²	0.39	0.59	0.64	0.96	0.79	1.18	1.18	1.77	1.57	2.36					
Peso	Weight	kg	19.7	21.6	25.3	28.2	31.8	35.4	44.2	49.3	56.6	63.6					
70 = 7.0 mm		Passo alette		Fin spacing		TC = 10°C ÷ -18 °C											
Modello	Type	BMA-SMA	311	312	313	314	321	322	331	332	341	342					
Potenza (R404A)	• TC 2,5 °C (ΔT1 10K)	W	1950	2600	2550	3450	3850	5050	5800	7750	7800	10100					
Capacity	TC 0 °C (ΔT1 8K)	W	1450	1900	1850	2550	2850	3750	4300	5750	5800	7450					
Portata d'aria	Air quantity	m³/h	1300	1200	1450	1400	2600	2400	3900	3600	5200	4800					
Freccia d'aria	Air throw	m	11	10	10	9	13	12	14	13	15	14					
Superficie esterna	External surface	m²	4.4	6.6	7.1	10.6	8.7	13.1	13.1	19.7	17.5	26.2					
Superficie interna	Internal surface	m²	0.39	0.59	0.64	0.96	0.79	1.18	1.18	1.77	1.57	2.36					
Peso	Weight	kg	19.0	20.5	24.1	26.3	30.2	33.1	42.0	46.0	53.5	59.0					
DATI COMUNI / COMMON DATA																	
Elettroventilatori	Fans	Ø 300 mm x n°	1 o	1 o	1 o	1 o	2 oo	2 oo	3 ooo	3 ooo	4 oooo	4 oooo					
Assorbimento motori	Motor power consumption	BMA-SMA	W	75	75	75	75	150	150	225	225	300	300				
		A	0.34	0.34	0.34	0.34	0.68	0.68	1.02	1.02	1.36	1.36					
Assorbimento motori	Motor power consumption	EC	W	60	60	60	60	120	120	180	180	240	240				
		A	0.55	0.55	0.55	0.55	1.1	1.1	1.65	1.65	2.2	2.2					
Sbrinamento	Defrost	E 230 V	W	790	1130	1200	1755	1450	2130	2120	3130	2790	4130				
Volume circuito	Circuit volume	dm³	1.1	1.6	1.7	2.5	2.0	3.1	3.0	4.5	4.0	5.9					
Attacchi entrata	Inlet connections	BMA	Ø mm	12	12	12	12	12	16	16	16	16	22				
		SMA	Ø mm	12	12	12	12	12	12	12	12	12	16				
Attacchi uscita	Outlet connections	BMA-SMA	Ø mm	16	18	18	18	18	28	28	28	28	35				
Dimensioni	Dimensions	A mm	792	792	1137	1137	1347	1347	1902	1902	2457	2457					
		B mm	593	593	938	938	1148	1148	1703	1703	2258	2258					

(•) Per altre condizioni vedere diagrammi. (•) For other conditions see diagrams.

EC = Motori con commutazione elettronica (1400 r.p.m.). Risparmio energia = ~ 20%. EC = Motors with electronic commutation (1400 r.p.m.). Energy saving = ~ 20%.





**Esempio di ordinazione / Exemple de commande / Ordering example / Typenschlüssel / Ejemplo de pedido
Пример заказа / Nomenclatura**

BMA 222 E 45

B	=	Benefit	
S	=	Super	
M	=	Carenatura metallica Carrosserie metallique Carenado de metal Металлический корпус Metalowa obudowa	Metal casing Metallgehäuse
A	=	Angolare Angulaire Angular Kątowy	Angled Winkling Угловой

Modello
Type
Modèle
Modell
Modelo
Модель
Model

N	=	Sbrinamento ad aria Air defrost Dégivrage à air Luftabtauung Air descongelaçión Размораживание воздуха Rozmrażanie powietrzem
E	=	Sbrinamento elettrico Electric defrost Dégivrage électrique Elektrische Abtauung Desescarche eléctrico Электрическая оттайка Odszaranie elektryczne

Passo alette	Fin spacing
Pas des ailettes	Lamellenabstand
Paso de aletas	Шар ребер
Rozstaw lamel	
45	= 4.5 mm
70	= 7.0 mm

Disponibili anche versioni per:
Versions available:
Versions disponibles pour:
Verfügbare Versionen:
Versiones disponibles:
Доступные версии:
Dostępne wersje na:

GLYCOL

NH₃

CO₂

ANGLED UNIT COOLERS FOR COLD ROOMS



Safeshell casing





● BHA-SHA

1130 ÷ 8250 W - 18 models

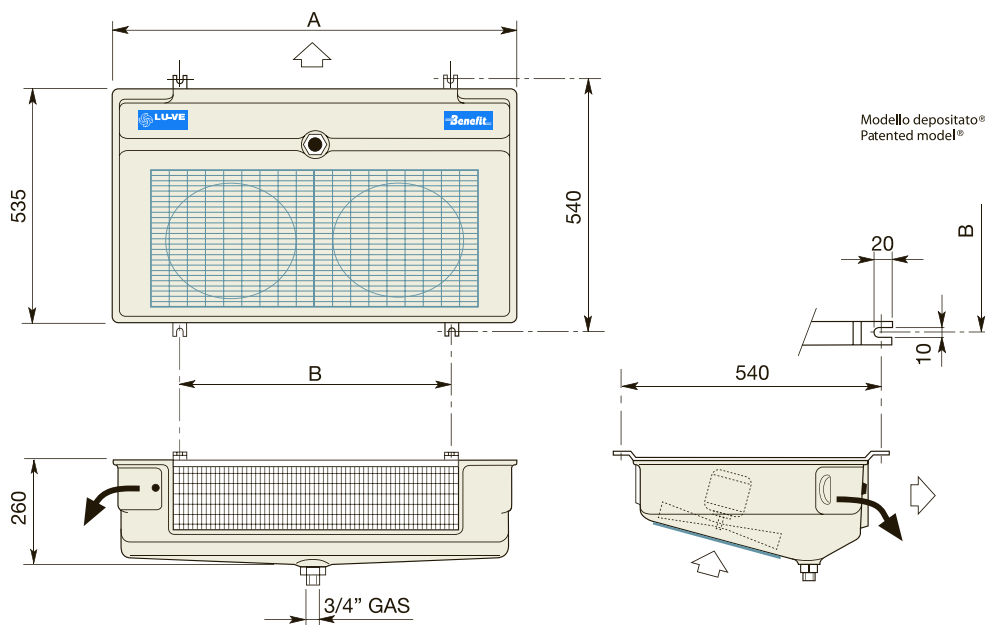
1130 ÷ 8250 W



32 = 3.0 mm		Passo alette		Fin spacing		TC = 10°C ÷ 0°C					
Modello	Type	BHA-SHA	30-32	40-32	60-32	80-32	120-32	160-32			
Potenza (R404A)	• TC 2,5 °C (ΔT1 10K)	W	1650	2050	3350	4150	6300	8250			
Capacity	TC 0 °C (ΔT1 8K)	W	1200	1500	2500	3050	4650	6100			
Portata d'aria	Air quantity	m ³ /h	550	650	1100	1300	1950	2600			
Freccia d'aria	Air throw	m	8	9	9	10	11				
Superficie esterna	External surface	m ²	5,6	7,8	11,2	15,6	23,4	31,2			
Superficie interna	Internal surface	m ²	0,4	0,5	0,8	1,0	1,5	2,0			
Peso	Weight	kg	9,5	11,5	16,5	20,5	29,5	39,0			
50 = 4.5 mm		Passo alette		Fin spacing		TC = 10°C ÷ -18 °C					
Modello	Type	BHA-SHA	21-50	27-50	41-50	53-50	79-50	106-50			
Potenza (R404A)	• TC 2,5 °C (ΔT1 10K)	W	1450	1800	2950	3600	5500	7350			
Capacity	TC 0 °C (ΔT1 8K)	W	1050	1350	2200	2650	4050	5450			
Portata d'aria	Air quantity	m ³ /h	600	720	1200	1440	2160	2880			
Freccia d'aria	Air throw	m	9	10	10	11	12				
Superficie esterna	External surface	m ²	3,8	5,3	7,7	10,6	15,9	21,2			
Superficie interna	Internal surface	m ²	0,4	0,5	0,8	1,0	1,5	2,0			
Peso	Weight	kg	9,0	10,5	15,5	19,0	27,5	36,0			
80 = 7.0 mm		Passo alette		Fin spacing		TC = 10°C ÷ -18 °C					
Modello	Type	BHA-SHA (80=7,0 mm)	14-80	17-80	28-80	35-80	52-80	70-80			
Potenza (R404A)	• TC 2,5 °C (ΔT1 10K)	W	1130	1370	2270	2730	4260	5730			
Capacity	TC 0 °C (ΔT1 8K)	W	850	1000	1700	2000	3150	4250			
Portata d'aria	Air quantity	m ³ /h	670	750	1340	1500	2250	3000			
Freccia d'aria	Air throw	m	10	11	11	12	13				
Superficie esterna	External surface	m ²	2,6	3,5	5,1	7,1	10,6	14,2			
Superficie interna	Internal surface	m ²	0,4	0,5	0,8	1,0	1,5	2,0			
Peso	Weight	kg	8,5	10,0	15,0	18,0	26,0	34,0			
DATI COMUNI / COMMON DATA											
Elettroventilatori	Fans	Ø 275 mm x n°	1 o	1 o	2 oo	2 oo	3 000	4 0000			
Assorbimento motori	BHA-SHA	W	105	105	210	210	315	340			
Motor power consumption		A	0,65	0,65	1,30	1,30	1,95	2,60			
Assorbimento motori	EC 1~230 V 50 Hz	W									
Motor power consumption		A									
Sbrinatorio	Defrost	E 230 V	W	500	650	900	1200	1750	2300		
Volume circuito	Circuit volume	dm ³	0,6	0,9	1,2	1,7	2,5	3,2			
Attacchi entrata	Inlet connections	Ø mm	10	12	12	12	12	12			
Attacchi uscita	Outlet connections	Ø mm	10	22	22	28	28	28			
Dimensioni	Dimensions	A mm	605	730	930	1180	1630	2080			
		B mm	293	418	618	868	1318	1768			

(*) Per altre condizioni vedere diagrammi. (•) For other conditions see diagrams.

EC = Motori con commutazione elettronica (1400 r.p.m.). EC = Motors with electronic commutation (1400 r.p.m.).





**Esempio di ordinazione / Exemple de commande / Ordering example / Typenschlüssel / Ejemplo de pedido
Пример заказа / Nomenclatura**

BHA 79 E 50

<p>B = Benefit S = Super H = HiTec® A = Angolare Angled Angulaire Winkling Angular Угловой Кątowy</p>	<p>Modello Type Modèle Modell Modelo Modelo Модель Model</p>	<p>N = Sbrinamento ad aria Air defrost Dégivrage à air Luftabtauung Air descongelación Размораживание воздуха Rozmrażanie powietrzem</p> <p>E = Sbrinamento elettrico Electric defrost Dégivrage électrique Elektrische Abtauung Desescarche eléctrica Электрическая оттайка Odszarzanie elektryczne</p>	<p>Passo alette Fin spacing Pas des ailettes Lamellenabstand Paso de aletas Шар ребер Rozstaw lamel</p> <p>32 = 3,0 mm 50 = 4,5 mm 80 = 7,0 mm</p>
--	---	--	---

Disponibili anche versioni per:
 Versions available:
 Versions disponibles pour:
 Verfügbare Versionen:
 Versiones disponibles:
 Доступные версии:
 Dostępne wersje na:

GLYCOL **NH₃** **CO₂**

LU-VE TECHNOLOGY



	Safeshell	Carenatura di materiale antiurto e antinfortunistico "Safeshell".	Casing in "Safeshell" shock resistant safety material.	Carrosserie en matériau antichocs "Safeshell".
		Il profilo della nuova griglia JETSTREAMER® abbina a un design innovativo un notevole incremento della freccia d'aria e della portata d'aria soprattutto in presenza di brina sulle alette della batteria. (Patented).	The special profile of JETSTREAMER® combines innovative design with a notable increase in air throw and air quantity, especially with frost on the fins.	Le profilé de la nouvelle grille JETSTREAMER® combine un design innovant et une augmentation considérable de la portée et du débit d'air, surtout en présence de givre sur les ailettes de la batterie.
	JET-O-MATIC®	JET-O-MATIC® : massima potenza dell'evaporatore in ogni condizione di carico termico (CT), temperatura di cella (TC), differenza di temperatura (ΔT) e tipo di refrigerante (R), specialmente con i nuovi refrigeranti caratterizzati da una miscela con elevato rapporto, gas/liquido dopo la valvola di espansione (Patented).	JET-O-MATIC® : maximum unit cooler capacity at every condition of heat load (CT), room temperature (TC), temperature difference (ΔT) and refrigerant type (R), especially with the new refrigerants which have mixtures with high gas/liquid ratio after the expansion valve.	JET-O-MATIC® : performance maximale de l'évaporateur dans toutes les conditions de charge thermique (CT), température de chambre (TC), différence de température (ΔT) et type de réfrigérant (R), spécialement pour les nouveaux réfrigérants lorsque le mélange gaz/liquide est important après le détendeur.
	<i>Steel Protected Best Technology</i>	Carenatura realizzata con acciaio zincato, verniciatura a polvere Epoxy-Polyester e resistente alla corrosione.	Galvanized steel casing with corrosion-resistant Epoxy-Polyester powder coating.	Carrosserie en acier zingué, peinte par poudrage époxy-polyester , résistante à la corrosion.
	DUAL DISCHARGE	Aerorefrigeranti a doppio flusso d'aria.	Dual discharge unit coolers.	Evaporateurs ventilés double flux.
	GLYCOL	Aerorefrigeranti per acqua glicolata .	Industrial air coolers for glycol water .	Aerofrigorifères pour Eau Glycolée .
	NH₃	Aerorefrigeranti per ammoniaca (NH₃) .	Industrial unit coolers for ammonia (NH₃) .	Evaporateurs ventilés pour Ammoniac (NH₃) .
	CO₂	Aerorefrigeranti e gas coolers per CO₂ .	Unit coolers and gas coolers for CO₂ .	Evaporateurs et gaz coolers pour CO₂ .
		Gli aerorefrigeranti possono essere dotati dei nuovi ventilatori elettronici sviluppati con tecnologia EC , che consente di ridurre drasticamente i consumi energetici.	Unit coolers can be fitted with the new electronic fans developed using EC technology , dramatically reducing energy consumption.	Les évaporateurs peuvent être équipés de nouveaux ventilateurs électroniques EC , qui permettent de réduire de façon significative les consommations d'énergie.

LU-VE TECHNOLOGY



<p>Gehäuse aus stossfestem und unfallverhütendem Material: “Safeshell”.</p>	<p>Carcasa de material a prueba de golpes “Safeshell”.</p>	<p>Корпус сделан из “Safeshell” ударопрочного безопасного материала.</p>	<p>Obudowa z materiału odpornego na wibracje i zapewniającego bezpieczeństwo pracy “Safeshell”.</p>
<p>Das Spezialprofil des neuen Schutzgitters JETSTREAMER® vereint innovatives Design mit einer erheblichen Steigerung der Wurfweite und des Luftdurchsatzes, insbesondere bei Reif auf den Lamellen.</p>	<p>El perfil especial de la nueva rejilla JETSTREAMER® combina con un diseño innovador un notable incremento del caudal y del dardo de aire sobre todo en presencia de escarcha en las aletas de la batería.</p>	<p>Профиль решётки JETSTREAMER® Он отличается не только новаторским дизайном, но и позволяет значительно увеличить объём и факел воздуха, особенно в присутствии намораживания на ребрении.</p>	<p>Specjalny profil nowej osłony wentylatora JETSTREAMER®, który łączy w sobie innowacyjny design oraz znaczący wzrost przepływu powietrza i zasięgu strumienia, przede wszystkim w fazie tworzenia się szronu na lamelach wymiennika.</p>
<p>JET-O-MATIC®: Höchste Luftkühlerleistung unter allen verschiedenen Wärmebelastungen (CT), Raumtemperaturen (TC), Temperaturdifferenzen (ΔT) und Kältemittel (R), speziell bei den neuen Kältemitteln, welche einen hohen Gas-/Flüssig-Anteil nach dem Expansionsventil haben.</p>	<p>JET-O-MATIC®: máximo rendimiento del evaporador con cualquier condición de carga térmica (CT), temperatura de cámara (TC), diferencia de temperatura (ΔT) y tipo de refrigerante (R), especialmente con los nuevos refrigeradores, caracterizados por una mezcla de elevada proporción gas/líquido tras la válvula de expansión.</p>	<p>JET-O-MATIC®: Максимальная производительность испарителя при любых условиях тепловой нагрузки (CT), температуры в камере (TC), разности температур (ΔT) и типа хладагента (R), особенно при работе на новых хладагентах, с характеризующийся смешением газа/жидкости после расширительного клапана.</p>	<p>JET-O-MATIC®: Maksymalna wydajność parownika w każdych warunkach: termicznych (CT), temperatury komory (TC), różnicy temperatur (ΔT) i rodzaju czynnika chłodniczego (R), a w szczególności przy zastosowaniu nowych czynników chłodniczych wyróżniających się mieszanką o wysokim stopniu "gaz/ciecz" po zaworze rozprężnym.</p>
<p>Gehäuse aus verzinktem Stahlblech, Epoxy-Polyester korrosionsresistente Beschichtung.</p>	<p>Carcasa fabricada con acero galvanizado, pintado con polvo de Epoxy-Polyester, resistente a la corrosión.</p>	<p>Оцинкованная сталь с антикоррозийным покрытием Exposy-Polester.</p>	<p>Obudowa dla wysokiej odporności przed korozją, wykonana jest ze stali ocynkowanej, pokrytej proszkowo farbą epoksy-poliesterową.</p>
<p>Zweiseitig ausblasende Luftkühler.</p>	<p>Evaporadores de doble flujo.</p>	<p>Двухпоточные воздухоохладители.</p>	<p>Chłodnice z dwustronnym wyrzutem powietrza.</p>
<p>Luftkühler für Wasser-Glycol.</p>	<p>Aerorefrigeradores para Agua Glicolada.</p>	<p>Воздухоохладители на гликоле.</p>	<p>Glikolowe chłodnice powietrza.</p>
<p>Hochleistungsluftkühler für Ammoniak (NH₃).</p>	<p>Aeroevaporadores para Amoniac (NH₃).</p>	<p>Воздухоохладители на Аммиаке (NH₃).</p>	<p>Chłodnice dla Amoniakalne (NH₃).</p>
<p>Luftkühler und Gaskühler für CO₂.</p>	<p>Evaporadores y Gas cooler para CO₂.</p>	<p>Воздухоохладители и охладители газа для CO₂.</p>	<p>Chłodnice powietrza i gas coolery na CO₂.</p>
<p>Die Luftkühler können mit den neuen elektronischen Ventilatoren, mit EC Technologie, ausgestattet werden. Dies führt zu drastischen Energieersparnissen.</p>	<p>Los evaporadores pueden incorporar nuevos ventiladores electrónicos desarrollados con tecnología EC, que permite reducir drásticamente el consumo energético.</p>	<p>Воздухоохладители могут быть оснащены новыми электронными вентиляторами, разработанными с использованием EC технологий, значительно уменьшая потребление энергии.</p>	<p>Chłodnice powietrza mogą być wyposażone w nowe wentylatory elektronicznie komutowane EC, znacznie redukujące zużycie energii.</p>

Metodo di scelta dell'aerorevaporatore – Unit cooler model selection
Méthode de sélection de l'évaporateur – Auswahlmethoden für Hochleistungsluftkühler
Método de selección de evaporador – Метод выбора – Dobór chłodnicy powietrza

Dati di base	Basic data	Données de base	Basis-Daten	Datos básicos	Основные данные	Dane podstawowe
TC = 0°C	UR = 85%	$\Delta T1 = 7 \text{ K}$	CT = 7500 W	R = R404A		

Scelta rapida	Quick selection	Sélection rapide	Schnellwahl	Selección rápida	Мгновенный подбор	Szybki dobór
---------------	-----------------	------------------	-------------	------------------	-------------------	--------------

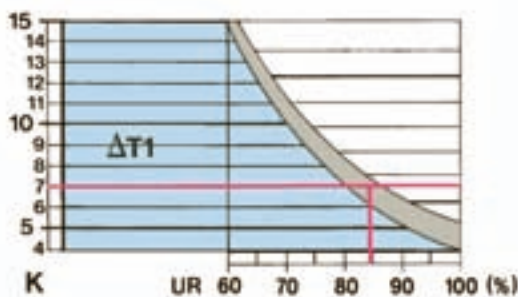
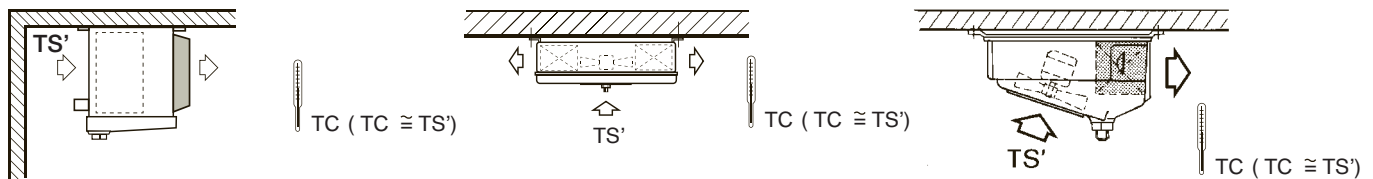
CT x 1/FC = 7500 x 1/0,65 = **11540W**

Selezione / Selection / Sélection / Typenauswahl / Selección / Выбор / Wybór = **BHDN 166 E 50**

Potenza / Rating / Puissance / Leistung / Potencia / Власть / Мощность = $\Delta T1 \text{ 10K} = \mathbf{12400 \text{ W}}$ (Catalogo / Catalogue / Catalogue / Katalog
 Catálogo / Каталог/ Katalog)

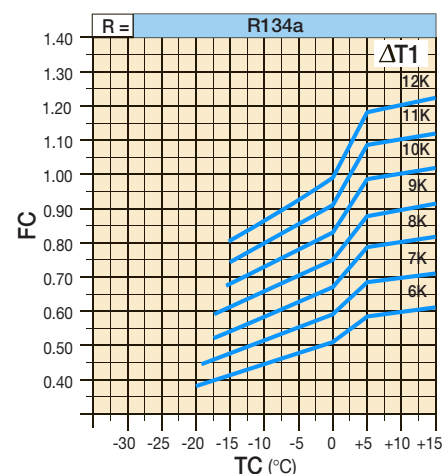
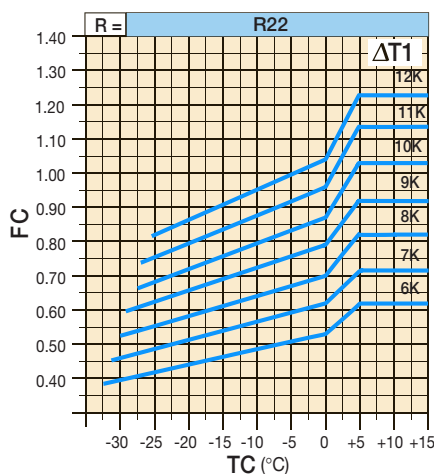
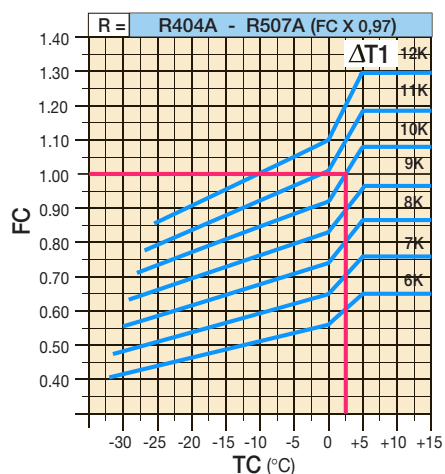
$\Delta T1 = 11540/12400 \times 7 = \mathbf{6,5 \text{ K}}$

TE = TC - $\Delta T1 = 0 - 6,5 = \mathbf{-6,5 \text{ °C}}$



CT W	Carico termico Kältebedarf	Carga térmica	Heat load Температурная нагрузка	Bilan thermique Obciążenie ciepłe
TC °C	Temperatura di cella Raumtemperatur	Temperatura de la cámara	Room temperature Температура в камере	Température de la chambre Temperatura komory
TS' °C	Temperatura dell'aria all'ingresso dell'evaporatore Air inlet temperature/Temperature d'entrée de l'air Lufteintrittstemperatur Temperatura de entrada del aire en el evaporador			Temperatura воздуха на входе в воздухоохладитель Temp. powietrza na wejściu do parownika
TE °C	Temperatura di evaporazione Verdampfungstemperatur	Temperatura de evaporación	Evaporating temperature Температура кипения	Température d'évaporation Temperatura parowania
UR %	Umidità relativa Relative Luftfeuchtigkeit	Humedad relativa	Relative humidity Относительная влажность	Umidité relative Wilgotność względna
$\Delta T1 \text{ K}$	Differenza tra la temperatura dell'aria in entrata e la temperatura d'evaporazione del refrigerante Difference between air inlet temperature and refrigerant temperature Différence entre la température d'entrée de l'air et la température d'évaporation du réfrigérant Differenz zwischen der Eintrittstemperatur der Luft in den Luftkühler und der Verdampfungstemperatur. Diferencia entre la temperatura del aire a la entrada y la temperatura de evaporación del refrigerante Разница между температурой воздуха на входе и температурой кипения хладагента Różnica pomiędzy temp. powietrza na wejściu a temp. parowania czynnika chłodniczego			
R	Refrigerante Kältemittel	Refrigerante	Refrigerant Хладагент	Réfrigérant Chłodziwo
FC	Fattore di correzione Facteur de correction Factor de corrección		Correction factor Korrekturfaktor Кoeffициент поправки	Współczynnik korekcyjne

FC Fattori di correzione della potenza / FC Capacity correction factors / FC Facteurs de correction de la puissance / FC Leistungs-Korrekturfaktoren
 FC Factor de corrección de la potencia / FC Коэффициент корректировки производительности / FC Współczynniki korekcyjne wydajności



Selezione

È disponibile un programma di selezione degli apparecchi operante in ambiente Windows (REFRIGER®).

Selection

A Windows software programme is available for unit selection (REFRIGER®).

Sélection

Un programme de calcul pour effectuer la sélection des aéro-réfrigérant sous Windows est disponible (REFRIGER®).

Auswahl

Für die Auslegung der Leistung ist ein Windows Computerprogramm erhältlich (REFRIGER®).

Selección

Está disponible un programa de selección de equipos operando bajo entorno Windows (REFRIGER®).

Подбор

Программное обеспечение Windows для оперативного выбора (REFRIGER®).

Dobór

Dostępny jest program doborowy pracujący w środowisku Windows służący do doboru urządzeń (REFRIGER®).





FHC 27

Cubic unit cooler
Pharmaceutical laboratory,
Uruguay



FHC 30

Cubic unit cooler
Fruit warehouse
Rongis Covered Market, Paris, France



FHC 50 *Vantage*

Cubic unit coolers
Mushroom cold room
Shandong, China



SHDS

Dual discharge unit coolers
Catering facilities
Birmingham, England



BHA-SHA

Angled unit coolers
Cheese warehouse
Parma, Italy



BMA

Angled unit cooler
Small cold room for flowers
Milan, Italy



LU-VE S.p.A.

Via Caduti della Liberazione, 53

21040 Uboldo (Va)

Tel: +39 02 96716.1

e-mail: sales@luve.it

www.luve.it