



2023 NEW



MADE BY DSZH TOOL
PREMIUM REFRIGERATION TOOL SERIES



MADE BY DSZH TOOL

LITHIUM VACUUM PUMP ST-2BMC

Use For
R32

PATENTED



INTELLIGENT VACUUM PUMP

Safety explosion-proof and sparkless.

Efficient ultra-fast pumping speed.

Intelligent brushless and variable frequency.

Portable light weight, easy to carry and transport.

Item No.	ST-2BMC	ST-2SC
Flow Rate	2.5 CFM 70 L/MIN	2.5 CFM 70 L/MIN
Pole No.	Dual Stages	Single Stage
Power	1/4 HP	1/4 HP
Ultimate Vac.	2x10 ⁻¹ Pa	2 Pa
Inlet Port	1/4" flare	1/4" flare
Oil Capacity	240 ml	300 ml
Dimension	249.5x105x200mm	249.5x105x200mm
Weight	4 kgs	3.5 kgs



MADE BY DSZH TOOL

LITHIUM VACUUM PUMP ST-4BMC

Use For
R32

PATENTED



INTELLIGENT VACUUM PUMP

Safety explosion-proof and sparkless.

Efficient ultra-fast pumping speed.

Intelligent brushless and variable frequency.

Portable light weight, easy to carry and transport.

Item No.	ST-4BMC	ST-4SC
Flow Rate	4.5 CFM 127 L/MIN	4.5 CFM 127 L/MIN
Pole No.	Dual Stages	Single Stage
Power	1/4 HP	1/4 HP
Ultimate Vac.	2x10 ⁻¹ Pa	2 Pa
Inlet Port	1/4" & 3/8" flare	1/4" & 3/8" flare
Oil Capacity	720 ml	890 ml
Dimension	363x128x276mm	363x128x276mm
Weight	6 kgs	5.4 kgs

INTELLIGENT VACUUM PUMP

ST-2BM

PATENTED



Use For
R32

INTELLIGENT VACUUM PUMP

- ★ Sparkless brushless motor use for R1234YF, R290, R32 etc flammable refrigerants.
- ★ Portable and novel appearance.
- ★ Integrated cylinder, superior air impermeability.

Item No.	ST-2BM	ST-2S
Flow Rate	2.5 CFM 71 L/MIN	2.5 CFM 71 L/MIN
Pole No.	Dual Stages	Single Stage
Power	1/4 HP	1/4 HP
Ultimate Vac.	2x10 ⁻¹ Pa	2 Pa
Inlet Port	1/4" & 3/8" flare	1/4" & 3/8" flare
Oil Capacity	240 ml	300 ml
Dimension	215.5x105x200mm	215.5x105x200mm
Weight	3.5 kgs	3 kgs

INTELLIGENT VACUUM PUMP

ST-4BM

PATENTED



Use For
R32

INTELLIGENT VACUUM PUMP

- ★ Sparkless brushless motor use for R1234YF, R290, R32 etc flammable refrigerants.
- ★ Portable and novel appearance.
- ★ Integrated cylinder, superior air impermeability.

Item No.	ST-4BM	ST-4S
Flow Rate	4.5 CFM 127 L/MIN	4.5 CFM 127 L/MIN
Pole No.	Dual Stages	Single Stage
Power	1/4 HP	1/4 HP
Ultimate Vac.	2x10 ⁻¹ Pa	2 Pa
Inlet Port	1/4" & 3/8" flare	1/4" & 3/8" flare
Oil Capacity	720 ml	890 ml
Dimension	290x128x276mm	290x128x276mm
Weight	5.3 kgs	4.7 kgs

INTELLIGENT VACUUM PUMP

ST-8BM

PATENTED



Use For
R32

INTELLIGENT VACUUM PUMP

- ★ Sparkless brushless motor use for R1234YF, R290, R32 etc flammable refrigerants.
- ★ Portable and novel appearance.
- ★ Integrated cylinder, superior air impermeability.

Item No.	ST-8BM	ST-8S
Flow Rate	8.5 CFM	8.5 CFM
	241 L/MIN	241 L/MIN
Pole No.	Dual Stages	Single Stage
Power	1/3 HP	1/3 HP
Ultimate Vac.	2x10 ⁻¹ Pa	2 Pa
Inlet Port	1/4" & 3/8" flare	1/4" & 3/8" flare
Oil Capacity	570 ml	600 ml
Dimension	349x139x333mm	349x139x333mm
Weight	11 kgs	10.5 kgs

INTELLIGENT VACUUM PUMP

ST-15BM

PATENTED



Use For
R32

INTELLIGENT VACUUM PUMP

Overall Double Steel Structure

Ultra-high tightness.
Higher ultimate vacuum.

Industrial-grade Design

Super durable.
Ultra-high flow rate.

Built-in intelligent control valve

Intelligent anti-reflux.
Avoid oil contamination When the refrigeration system is shut down.

Gas Ballast Valve

Accelerate the extraction of steam without contaminating the oil.

Intelligent Motor

Powerful, easy to start in -1° C environment.
Brushless variable frequency motor, suitable for all kinds of refrigerants such as R32, R600 and so on.

Item No.	ST-15BM
Flow Rate	15 CFM
	25 m³/h
Pole No.	Dual Stages
Power	5x10 ⁻¹ Pa
Ultimate Vac.	15 microns
Inlet Port	1/4", 5/16" & 3/8" flare
Oil Capacity	1100 ml
Dimension	407x161x334mm
Weight	14.2 kgs



MADE BY DSZH TOOL



MADE BY DSZH TOOL

Use For
R32

DIGITAL DISPLAY REFRIGERANT RECOVERY MACHINE



LIGHT WEIGHT FAST RECOVERY

ST-520D

Brushless DC Motor

Safe, sparkless design
Light weight, easy to carry

Digital Display

Easy and accurate reading of pressure values
Backlight for night use

Built-in Pressure Sensor

Accurate measurement of pressure values
Overpressure protection (38kg)

Double Cylinder Design

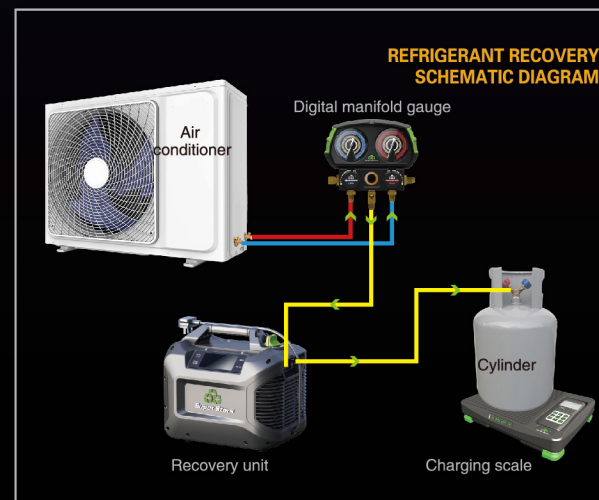
Quick recovery
Compact structure

Oilless Compressor

Suitable for R32, R600 and all other refrigerants

Purge

Prevent mixing of different refrigerants



Item No.	ST-520D		
Suitable refrigerant gas	III series: R12, R134a, R401C, R406A, R500, 1234YF IV series: R22, R401A, R401B, R402B, R407C, R407D, R408A, R409A, R411A, R411B, R412A, R502, R509 V series: R402A, R404A, R407A, R407B, R410A, R507, R32		
Cylinder quantity	2 cylinder		
Power	220V-240V, 50/60Hz		
Motor	750W(1HP)		
Speed of revolution	2500 RPM		
Electric current	220V:6A		
Compressor	No oil lubricate, Forced air cooling, Piston type		
High pressure protection	38.5bar / 3850kPa(558psi)		
Operating temperature	0°C ~ 40°C / 32 ~ 104°F		
Dimensions	375 x 250 x 320 mm		
Net weight	10 kg		
Refrigerant gas	R134a	R22	R410A
Liquid	2.40 kg/min	2.70 kg/min	3.50 kg/min
Push-pull mode	7.50 kg/min	8.50 kg/min	9.50 kg/min

ROLLER TYPE TUBE CUTTER

ST-532



Item No.	Description	
ST-319	Roller Type Tube Cutter	For ϕ 1/8" to 3/4"(3-19mm)
ST-428		For ϕ 3/16" to 1-1/8"(4-28mm)
ST-532		For ϕ 3/16" to 1-1/4"(5-32mm)
ST-650		For ϕ 1/4" to 2"(6-50mm)
ST-670		For ϕ 1/4" to 2-3/4"(6-70mm)



ST-428

- ★ ALLOY STEEL BLADE: SHARP AND DURABLE
- ★ BALL BEARING: FLEXIBLE AND ACCURATE
- ★ ALUMINUM ALLOY CUTTER BODY: LIGHT AND LABOR-SAVING

SMART SPRING TUBE CUTTER

ST-432S



Bender Spring Design

- ★ SMART SPRING DESIGN, FAST BLADE FEED IN
- ★ SHARP BLADE DESIGN, SMOOTH EDGE
- ★ BEARING ROLLER DESIGN, SMOOTH CUTTING

Item No.	Description	
ST-432S	Smart Spring Tube Cutter	For ϕ 3/16" to 1-1/4" (4-32mm)
ST-532S		For ϕ 3/16" to 1-1/4" (5-32mm)
ST-650S		For ϕ 1-4" to 2" (6-50mm)
ST-670S		For ϕ 1-4" to 2-3/4" (6-70mm)

ECCENTRIC CONE TYPE FLARING TOOL

ST-806A



- ★ HIGH STRENGTH ALUMINUM ALLOY CLAMP
- ★ ALUMINUM ALLOY CLAMP LIMIT PLATE
- ★ FORGED HIGH STRENGTH ALUMINIUM ALLOY YOKE
- ★ SUPER TACTILITY, PRECISE FLARING, LIGHTWEIGHT

Item No.	Description	
ST-806A	For inch: 1/4", 5/16", 3/8", 1/2", 5/8", 3/4"	
ST-806M	For metric: 6mm, 9mm, 10mm, 12mm, 16mm, 19mm	
ST-806FT-L	ST-806+ST-532+ST-207	For inch and metric: 1/4", 5/16", 3/8", 1/2", 5/8", 3/4" & 6, 9, 10, 12, 16, 19mm

ST-809AM

- ★ METRIC & INCH 2 IN 1
- ★ SUPPORT 9MM PIPE FLARE
- ★ HIGH-STRENGTH ALUMINUM ALLOY, LIGHTWEIGHT, SUPER DURABLE

Item No.	Description	
ST-809AM	Metric & Inch 2 in 1: 6mm, 1/4", 9mm, 3/8", 10mm, 12mm, 1/2", 5/8" (16mm) & 3/4" (19mm)	





MADE BY DSZH TOOL

FLARING TOOL

ST-519FT

PATENTED



⦿ ACCURATE FLARING

⚡ HIGH EFFICIENCY

🪶 LIGHTWEIGHT



MADE BY DSZH TOOL

FLARING TOOL

ST-519FT

PATENTED



EASY FLARING CONVENIENT AND FAST



Multi-size flaring clamps



Eccentric flaring cone



Can be used with electric drill
More efficient and less labor

Item No.	Description
ST-519FT	1/4", 3/8", 1/2", 5/8"(16mm), 3/4"(19mm)
Optional Flaring Clamps: 5/16"(8mm), 6mm, 9mm, 10mm, 12mm	



MADE BY DSZH TOOL



MADE BY DSZH TOOL

FLARING & SWAGING TOOL

ST-275A-L

PATENTED



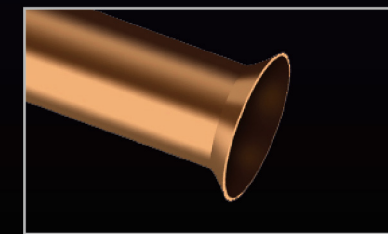
FLARING & SWAGING TOOL

ST-275A-L

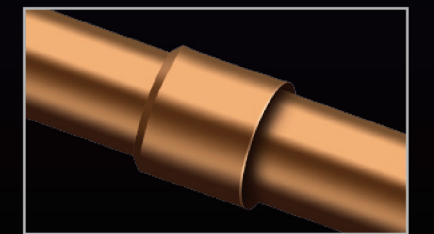
PATENTED



Multi sizes expander head



Accurate flaring



Accurate expanding

⦿ ACCURATE FLARING & SWAGING

⚡ HIGH EFFICIENCY

🪶 LIGHTWEIGHT DESIGN

🛡️ DURABLE

Item No.	Description
ST-275A-L	Flaring : 1/4", 5/16", 3/8", 1/2", 5/8", 3/4"
	Swage : 3/16", 1/4", 5/16", 3/8", 1/2", 5/8", 3/4"

RATCHET ECCENTRIC CONE TYPE FLARING TOOL

ST-R806A



- ★ RATCHET (REMOVABLE HANDLE)
- ★ CAN BE USED WITH ELECTRIC DRILL
- ★ HIGH STRENGTH ALUMINUM ALLOY CLAMP
- ★ ALUMINUM ALLOY CLAMP LIMIT PLATE
- ★ FORGED HIGH STRENGTH ALUMINIUM ALLOY YOKE
- ★ SUPER TACTILITY, PRECISE FLARING, LIGHTWEIGHT

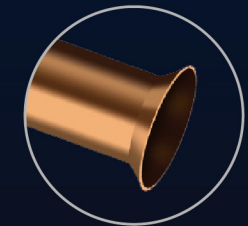
Item No.	Description
ST-R806A	For inch: 1/4", 5/16", 3/8", 1/2", 5/8", 3/4"
ST-R806M	For metric: 6mm, 9mm, 10mm, 12mm, 16mm, 19mm
ST-R806FT-L	ST-R806+ST-532+ST-207 For inch and metric: 1/4", 5/16", 3/8", 1/2", 5/8", 3/4" & 6, 9, 10, 12, 16, 19mm

ELECTRIC CORDLESS FLARING TOOL

ST-E809AM-L



- ★ METRIC & INCH 2 IN 1
- ★ SUPPORT 9MM PIPE FLARE
- ★ CORDLESS FLARE MAKE WORK EASIER



PRECISE FLARE, EXQUISITE WORKMANSHIP, SUPER DURABLE

Item No.	Description
ST-E809AM-L	Metric & Inch 2 in 1: 6mm, 1/4", 9mm, 3/8", 10mm, 12mm, 1/2", 5/8" (16mm) & 3/4" (19mm)

LITHIUM FLARING TOOL

ST-E900

PATENTED



- STRONG POWER
- ACCURATE FLARING
- LONG LIFE BATTERY

LITHIUM FLARING TOOL

ST-E900

PATENTED



Technical Parameter

Item No.	ST-E900A	ST-E900AM
Power	11.1V Lithium battery	
Applicable Tube	Copper tube	
Tube Diameter	1/4", 3/8", 1/2", 5/8", 3/4"	6mm, 1/4", 9mm, 3/8", 12mm, 1/2", 5/8"(16mm), 3/4"(19mm)
Dimension	243x101x102 mm	
Weight	3.5 kgs	3.9 kgs



MADE BY DSZH TOOL

LITHIUM FLARING TOOL

ST-E800A

PATENTED



LITHIUM DRIVE

HIGH EFFICIENCY

LONG LIFE BATTERY

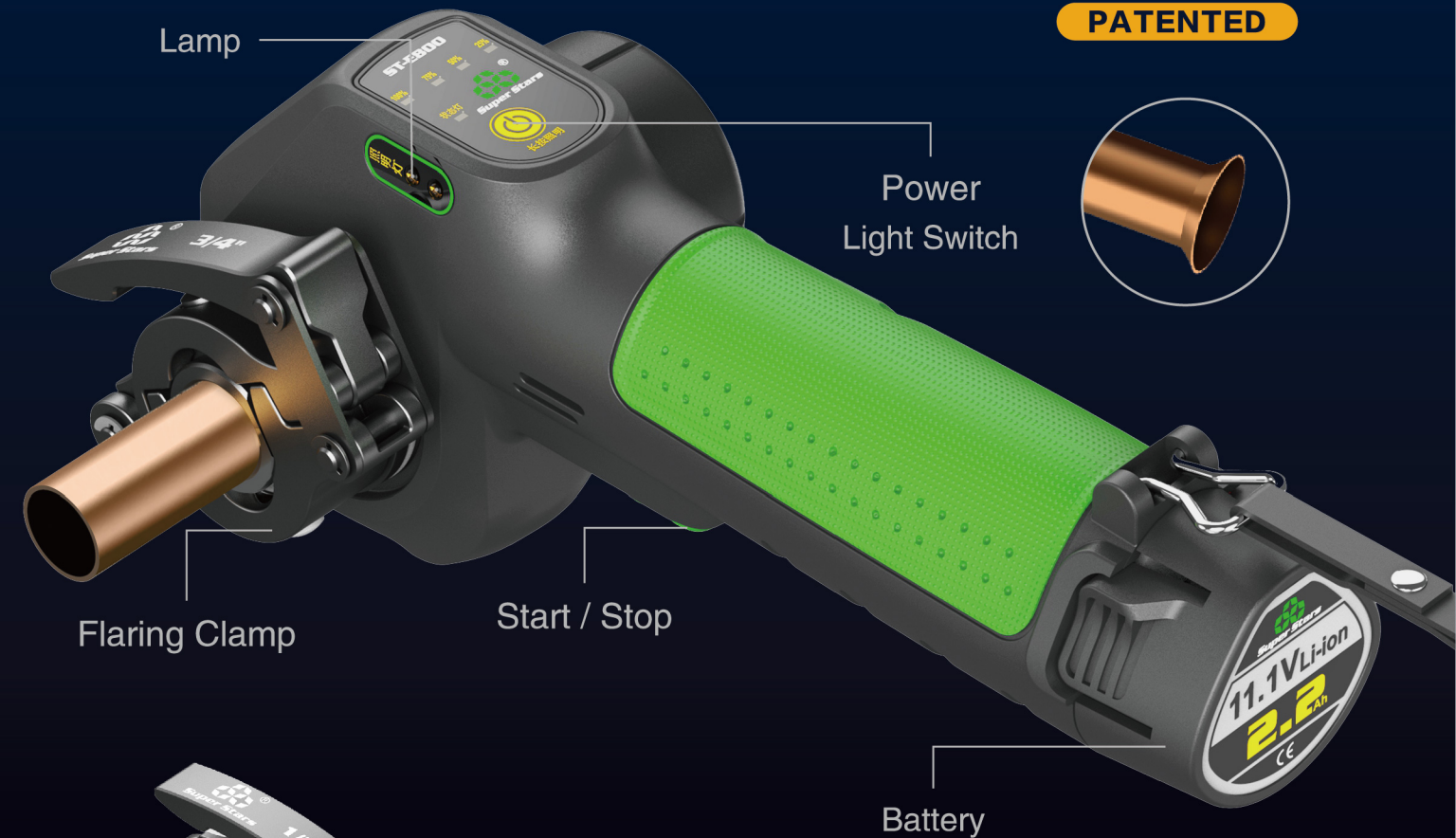


MADE BY DSZH TOOL

LITHIUM FLARING TOOL

ST-E800A

PATENTED



Flaring clamps

EASY FLARING CONVENIENT AND FAST

Item No.	ST-E800A
Power	11.1V Lithium battery
Applicable Tube	Copper tube
Tube Diameter	1/4", 3/8", 1/2", 5/8"(16mm), 3/4"(19mm) Optional flaring clamps: 6mm, 8mm(5/16"), 10mm, 12mm
Dimension	245x114x102 mm
Weight	3.5 kgs

LITHIUM TUBE EXPANDER

ST-E300

PATENTED



Item No.	Description	
ST-E300A	ST-E300A+ST-532	For inch: 3/8", 1/2", 5/8", 3/4", 7/8", 1", 1-1/8"
ST-E300M	ST-E300M+ST-532	For metric: 10, 12, 16, 19, 22, 25, 28mm
ST-E300AL	ST-E300A+ST-650	For inch: 3/8", 1/2", 5/8", 3/4", 7/8", 1", 1-1/8", 1-1/4", 1-3/8", 1-1/2", 1-5/8"
ST-E300ML	ST-E300M+ST-650	For metric: 10, 12, 16, 19, 22, 25, 28, 32, 35, 38, 42mm

LITHIUM TUBE EXPANDER

ST-E300

PATENTED



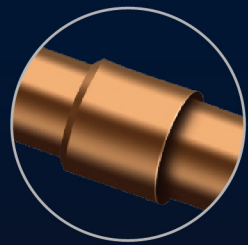
LITHIUM DRIVE

HIGH EFFICIENCY

LONG LIFE BATTERY

HYDRAULIC TUBE EXPANDER

ST-300



High Strength Aluminum Alloy Expander Body

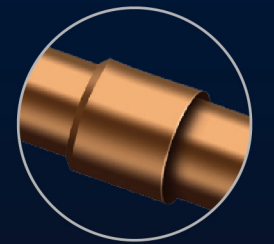
Ergonomic Non-slip Handle

LIGHTWEIGHT FORGED ALUMINUM EASY TO CARRY

Item No.	Description	
ST-300A	ST-300A+ST-532	For inch: 3/8", 1/2", 5/8", 3/4", 7/8", 1", 1-1/8" O.D. Tubing
ST-300M	ST-300M+ST-532	For metric: 10, 12, 16, 19, 22, 25, 28mm O.D. Tubing
ST-300AL	ST-300A+ST-650	For inch: 3/8", 1/2", 5/8", 3/4", 7/8", 1", 1-1/8", 1-1/4", 1-3/8", 1-1/2", 1-5/8" O.D. Tubing
ST-300ML	ST-300M+ST-650	For metric: 10, 12, 16, 19, 22, 25, 28, 32, 35, 38, 42mm O.D. Tubing

LEVER TUBE EXPANDER

ST-100



High Strength Aluminum Alloy Body

Ergonomic Non-slip Handle

LIGHTWEIGHT FORGED ALUMINUM EASY TO CARRY

Item No.	Description	
ST-100A	ST-100A+ST-532	For inch: 3/8", 1/2", 5/8", 3/4", 7/8", 1", 1-1/8" O.D. Tubing
ST-100M	ST-100M+ST-532	For metric: 10, 12, 16, 19, 22, 25, 28mm O.D. Tubing

ELECTRIC SWAGING PINS

ST-E900S

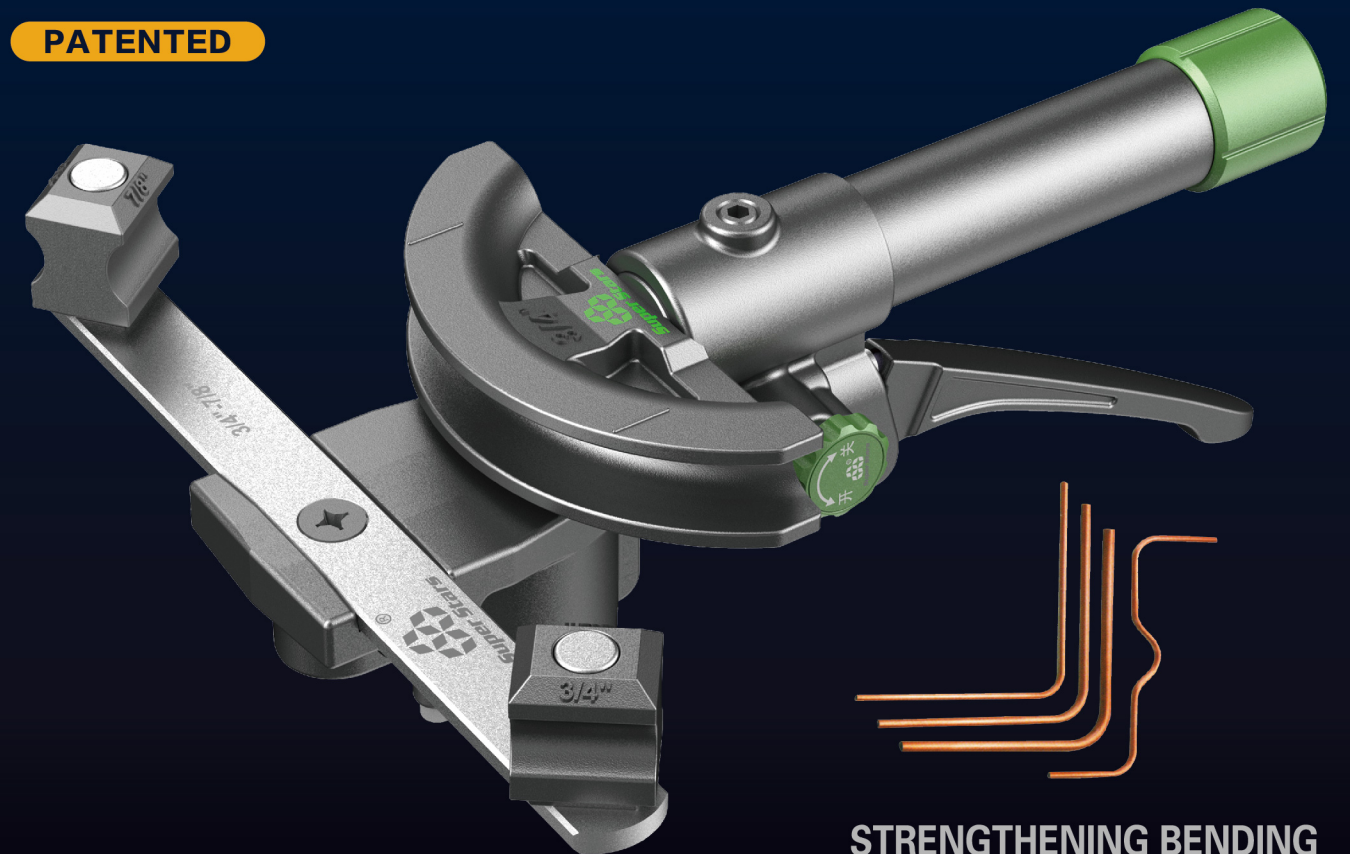


Item No.	Description	Item No.	Description
ST-E900S-04	Use for 1/4" O.D.Tubing	ST-E900S-10	Use for 5/8" O.D.Tubing
ST-E900S-06	Use for 3/8" O.D.Tubing	ST-E900S-12	Use for 3/4" O.D.Tubing
ST-E900S-08	Use for 1/2" O.D.Tubing	ST-E900S-14	Use for 7/8" O.D.Tubing

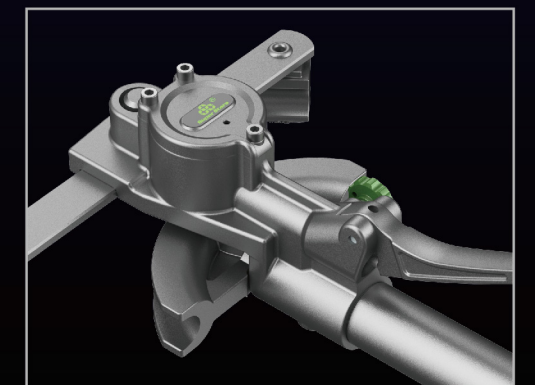
HYDRAULIC TUBE BENDER

ST-Y999

PATENTED



STRENGTHENING BENDING



FORGED ALUMINUM ALLOY, LIGHTWEIGHT

Item No.	Description	
ST-Y999	1/4"(6mm),5/16"(8mm),3/8"(10mm),1/2"(12mm), 5/8"(16mm),3/4"(19mm),7/8"(22mm)	In blow-mold carrying case Aluminum wheel

ELECTRIC FLARING PINS

ST-E900F



ELECTRIC SWAGING PINS
ST-E900S-4S

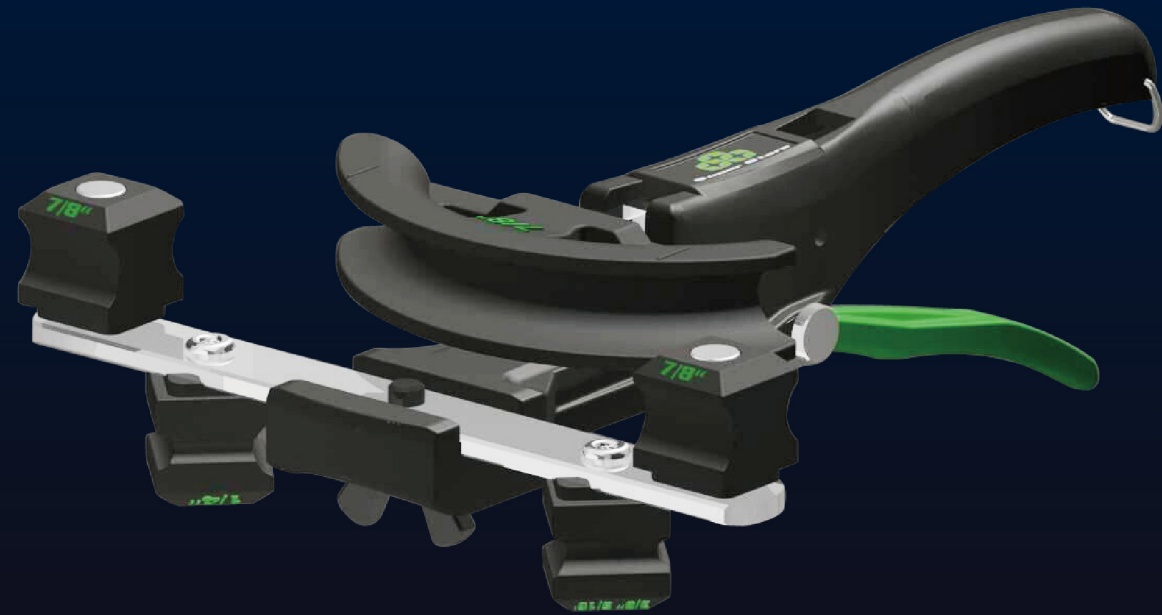
Description:
1/4"(6mm)、
3/8"(9mm)、
1/2"(12mm)、
5/8"(16mm)



Item No.	Description	Item No.	Description
ST-E900F-04	Use for 1/4" O.D.Tubing	ST-E900F-10	Use for 5/8" O.D.Tubing
ST-E900F-06	Use for 3/8" O.D.Tubing	ST-E900F-12	Use for 3/4" O.D.Tubing
ST-E900F-08	Use for 1/2" O.D.Tubing		

90° PIPE BENDER SET

ST-R999



REVERSE BENDING

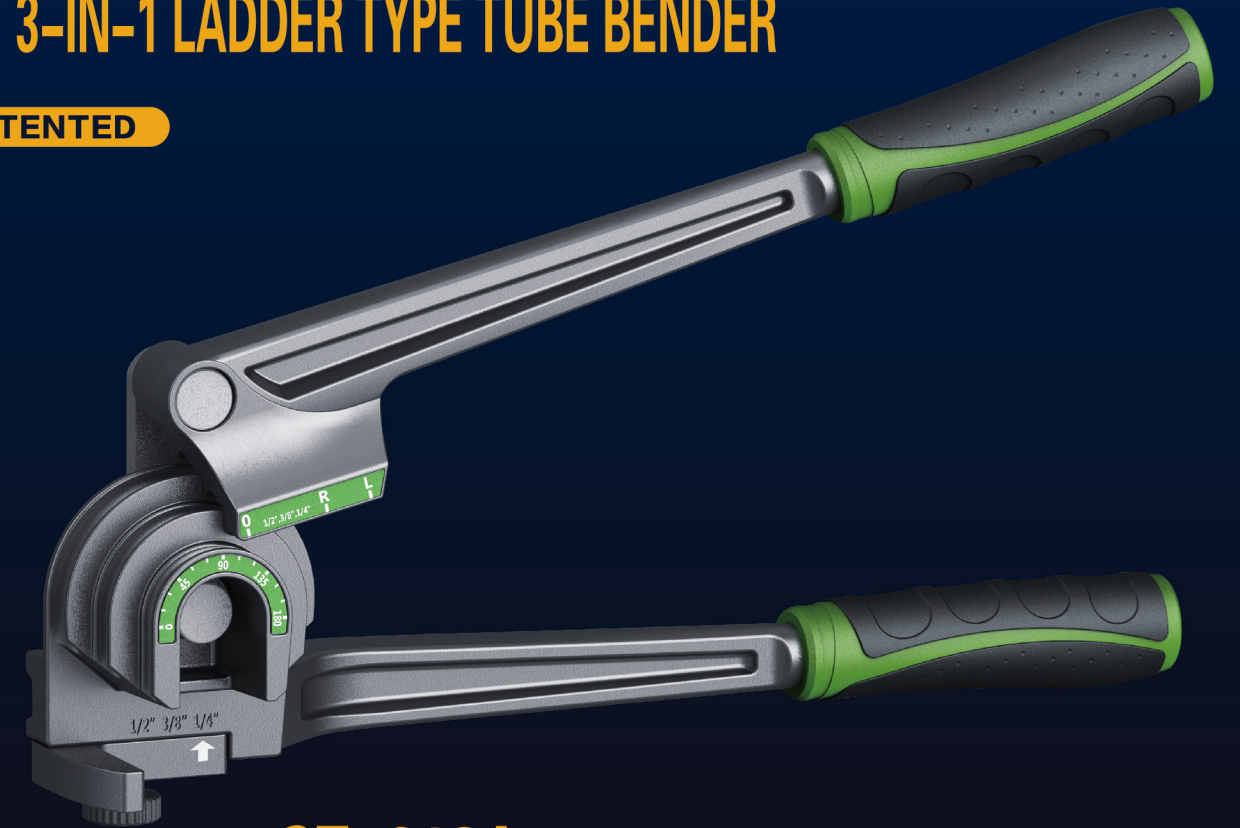


EASY OPERATION PERFECT BENDING

Item No.	Description	
ST-R999+ST-207	For inch: 1/4", 5/16", 3/8", 1/2", 5/8", 3/4", 7/8" For metric: 6, 8, 10, 12, 16, 19, 22mm	In blow-mold carrying case Aluminum wheel

180° 3-IN-1 LADDER TYPE TUBE BENDER

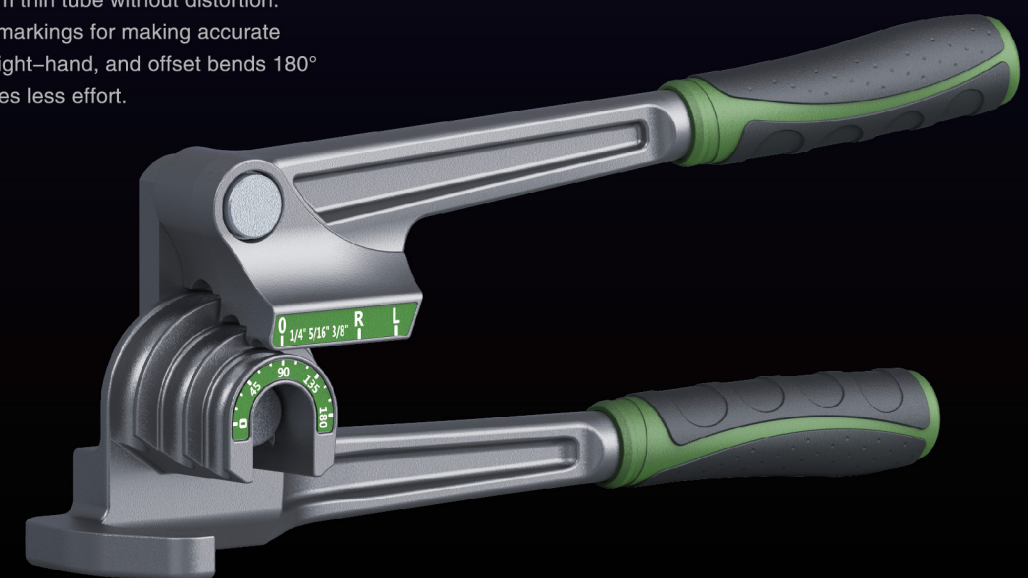
PATENTED



ST-612A For 1/4", 3/8" & 1/2" O.D. Tubing

ST-612M For 6mm, 10mm & 12mm O.D. Tubing

- ★ Aluminum alloy body
- ★ Open size-slips on tubing at any point, can bend 0.4mm thin tube without distortion.
- ★ Calibrated markings for making accurate left-hand, right-hand, and offset bends 180° start requires less effort.

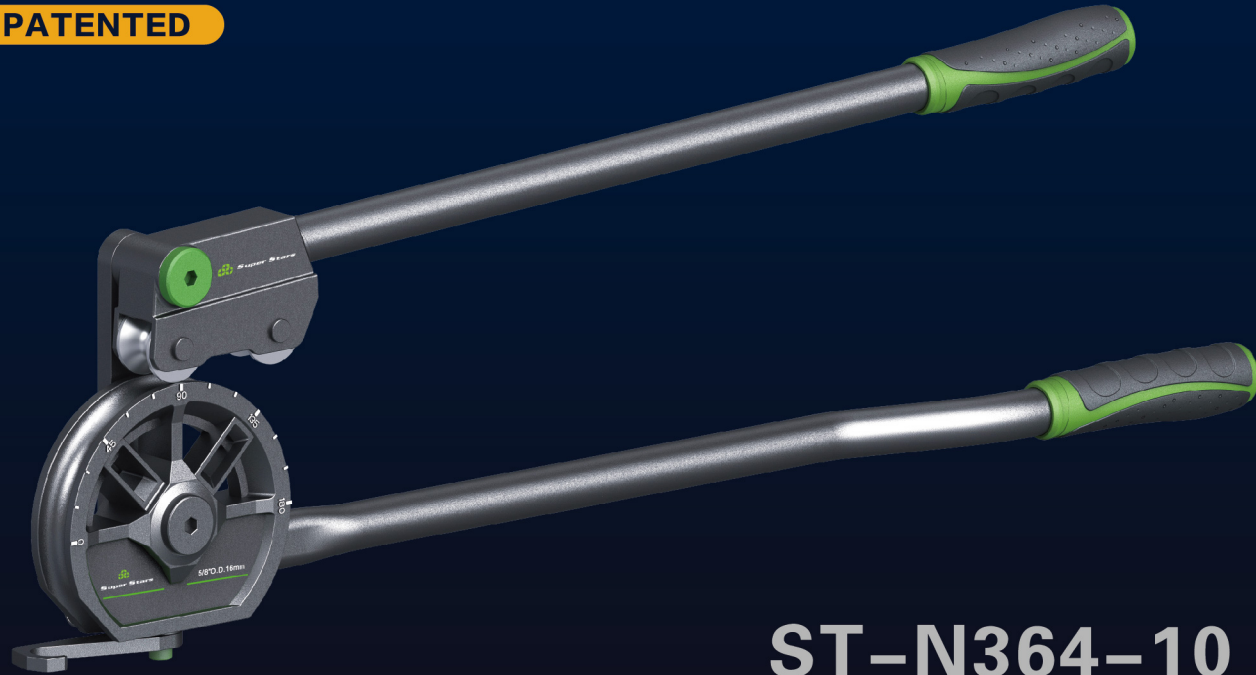


ST-N368-180°

For 1/4", 5/16" & 3/8" O.D. Tubing

ROLLER TYPE TUBE BENDER

PATENTED



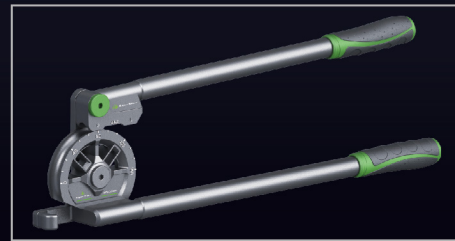
ST-N364-10



Bender wheel



Fixing hook locate the tube



ST-N364-06

HIGH-STRENGTH ALUMINUM ALLOY, LIGHTWEIGHT

Item No.	Description
ST-N364A-06	use for 3/8" O.D.Tubing
ST-N364M-06	use for 10mm O.D.Tubing
ST-N364A-08	use for 1/2" O.D.Tubing
ST-N364M-08	use for 12mm O.D.Tubing
ST-N364-10	use for 5/8" & 16mm O.D.Tubing
ST-N364-12	use for 3/4" & 19mm O.D.Tubing
ST-N364-14	use for 7/8" & 22mm O.D.Tubing

RATCHET TORQUE WRENCH

ST-02-L

PATENTED



- ★ Narrow space effortless operation
- ★ Fixed value torque design, Sound warning when torque is in place
- ★ Suitable new refrigerant R410A/R22
- ★ Suitable refrigerant copper horn head

Serial NO	Diameter	Applicable copper pipe	Torsion	Length	Weight
1	17mm	1/4"	18N.M(± 2N.M)	217mm	335g
2	22mm	3/8"	38N.M(± 4N.M)	252mm	395g
3	24mm	1/2"	55N.M(± 6N.M)	263mm	440g
4	26mm	1/2"	55N.M(± 6N.M)	263mm	440g
5	27mm	5/8"	75N.M(± 7N.M)	294mm	475g
6	29mm	5/8"	75N.M(± 7N.M)	294mm	475g

REPAIR PLIER

ST-301

PATENTED



Use for 1/4", 3/8", 1/2", 5/8",
EASILY REPAIR
FLATTENED PIPES.

TUBE STRAIGHTENING TOOL

ST-302

PATENTED

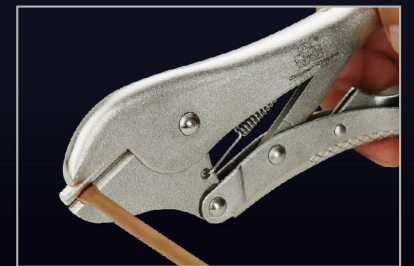


Item No.	Description	Item No.	Description
ST-302-3/16"	Use for 3/16" O.D.Tubing	ST-302-6	Use for 6mm O.D.Tubing
ST-302-1/4"	Use for 1/4" O.D.Tubing	ST-302-8	Use for 8mm O.D.Tubing
ST-302-3/8"	Use for 3/8" O.D.Tubing	ST-302-10	Use for 10mm O.D.Tubing
ST-302-1/2"	Use for 1/2" O.D.Tubing	ST-302-12	Use for 12mm O.D.Tubing
ST-302-5/8"	Use for 5/8" O.D.Tubing	ST-302-16	Use for 16mm O.D.Tubing

PINCH OFF PLIER (STRONG TYPE)

ST-201B

10-INCH STRONG SEAL



Strong pipe sealing

- DURABLE
- ULTRA-HIGH HARDNESS
- FINE FORGING
- FIRMLY ANTI-SKID
- HIGH-QUALITY STEEL
- LARGE TORSION

Item No.	Description	Scope Of Application	Length	Weight
ST-201B	10寸	3-10mm(1/8"-3/8")	228mm	0.5kg



MADE BY DSZH TOOL



MADE BY DSZH TOOL



TUBE EXPANDER

ST-622

PATENTED

Use for: 6mm,8mm,9mm,
10mm,12mm,16mm,19mm,
22mm,1/4",5/16",3/8",1/2",
5/8",3/4",7/8" O.D. Tubing

DEBURRER

ST-207

PATENTED

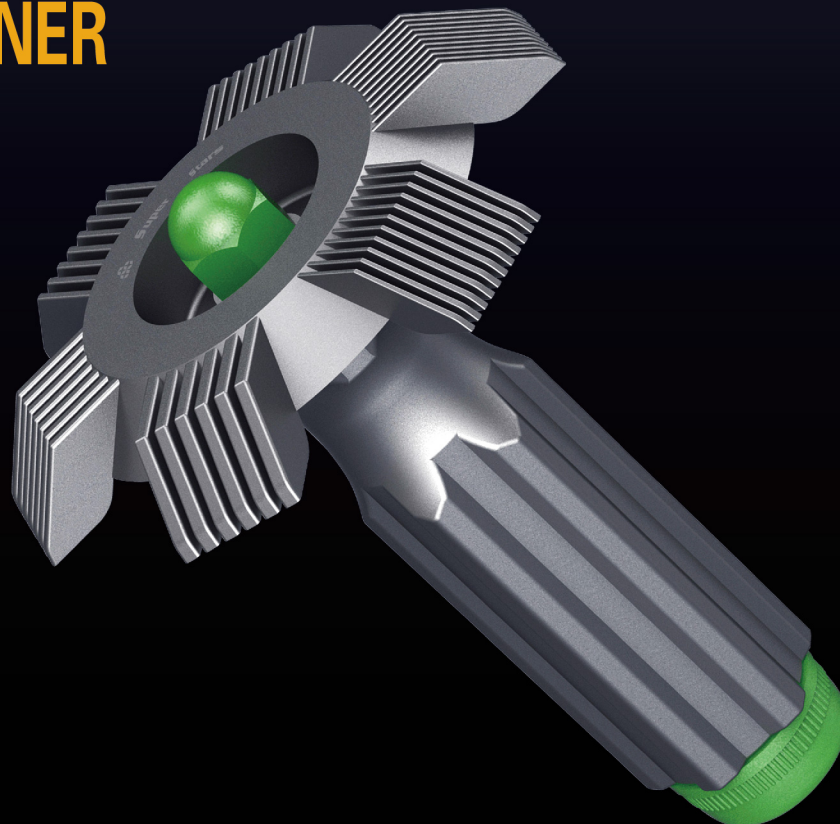


Handy deburrer, Blade
can be swivelled.

FIN STRAIGHTENER

ST-351

PATENTED

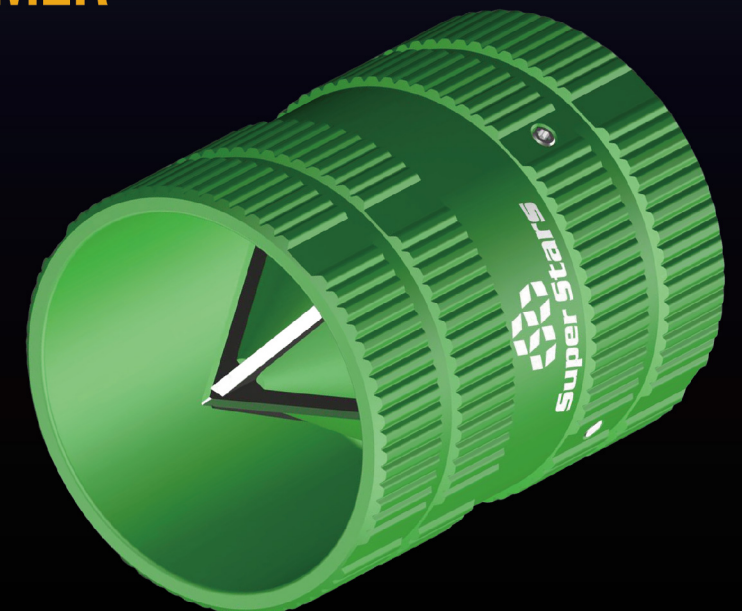


For 8,9,10,12,14,15
Spacings per inch.

INNER-OUTER REAMER

ST-209

PATENTED



Aluminum body
1/4" ~ 1-5/8" O.D. Tubing.
Easy to deburr.

WIRELESS CHARGING SCALE

ST-RF100



ACCURACY CHARGING

High Strength Aluminum Alloy Weighing Plate	Wireless Control Technology	High-reliability Weighing Sensor	Large Screen Controller
Range of weight 125kg Easy to carry	Not affected by control line More accurate load-bearing	Accuracy 0.05% of reading Resolution $\pm 5g$	Easy to read data Backlight use for night

TECHNICAL PARAMETER

Weight Range	100KG
Resolution	5G、0.01LB、0.16OZ
Presicion	$\pm 0.05\%$
Power Supply	Scale Power: 1.5V \times 6 (AA) Controller Power: 1.5V \times 5 (AAA)
Battery Life	50 Hours Continuous Use
Operate Temperature	-10 ~ 45°C
Net Weight	4.13kgs
Platform Size	314*239*61mm

VACUUM METER

ST-VG90



- ★ THE VACUUM WAS MEASURED AT 99999Pa~ 0.1Pa.
- ★ TARGET VACUUM ALARM FUNCTION.
- ★ ONE KEY FULL DEGREE CALIBRATION.
- ★ SYSTEM VACUUM LEAK DETECTION, IDENTIFY THE ADVANTAGES AND DISADVANTAGES OF VACUUM DEGREE.
- ★ PORTABLE DESIGN, BATTERY POWER SUPPLY, POWER DISPLAY, AUTOMATIC SHUTDOWN (NO OPERATION FOR 10 MINUTES), ETC.

TECHNICAL PARAMETER

Range	99999Pa~0.1Pa,740000~0.75Micron
Accuracy	0.1Pa~1000Pa;Reading $\pm 5\%$ (at20°C)
Resolution	0.1Pa(<10Pa);1Pa(<100Pa);10Pa(<1000Pa)
Unit	Pa,mBar,mmHg,mTorr,InHg,Microns
Battery Life	40 hours(3 \times AA battery)
Maximum Overload Pressure	0.5MPa/72PSI
Operating Temperature	-5~50°C(-23~122°F)
Buzzer Alarm	90db,shut down after 10 seconds



SINGLE METER

- ★ COLLAPSIBLE HOOK
- ★ OPTIONAL GAUGES
- ★ ALUMINUM HAND WHEEL
- ★ MANUAL BALL VALVE DESIGN
- ★ TEXTURE PROTECTOR&SUPER SHOCK PROFF



DIGITAL SINGLE METER

- ★ COLLAPSIBLE HOOK
- ★ MANUAL BALL VALVE DESIGN
- ★ TEXTURE PROTECTOR&SUPER SHOCK PROOF
- ★ BUILT-IN MORE THAN 90 KINDS OF REFRIGERANT GAS

	Dimeter Of Gauge 68mm	Dimeter Of Gauge 80mm	Gauge Scale
	ST-B168H	ST-B180H	R22、R404A
	ST-B168L	ST-B180L	R410A、R407C

	Item No.	Description
	ST-B168DH	More than 90 refrigerants data including R22、R32、R600、R1234yf、R410A、R134A etc in manifold.
	ST-B168DL	

2-VALVE MANIFOLD GAUGE

- ★ COLLAPSIBLE HOOK
- ★ OPTIONAL GAUGES
- ★ ALUMINUM HAND WHEEL
- ★ MANUAL BALL VALVE DESIGN
- ★ TEXTURE PROTECTOR & SUPER SHOCK PROOF



2-VALVE DIGITAL MANIFOLD GAUGES

- ★ COLLAPSIBLE HOOK
- ★ MANUAL BALL VALVE DESIGN
- ★ TEXTURE PROTECTOR&SUPER SHOCK PROOF
- ★ BUILT-IN MORE THAN 90 KINDS OF REFRIGERANT GAS



	Dimeter Of Gauge 68mm	Dimeter Of Gauge 80mm	Gauge Scale	Size Of Hose	Description
	ST-B268	ST-B280	R22 R404A R410A R407C	60"(150cm)	3pcs red(1/4"SAE),yellow(1/4"SAE), & blue(1/4"SAE), charging hoses. Working pressure 800Psi Burst 4000Psi. A sight glass brass/aluminum body. Designed to meet 1/4" SAE.

	Item No.	Size Of Hose	Description
	ST-B268D	60"(150cm)	3pcs red(1/4"SAE),yellow(1/4"SAE),& blue(1/4"SAE), charging hoses.Working pressure 800PSI,Burst 4000PSI. A sight glass Aluminum testing manifold body. Designed to meet1/4" SAE requirement for refrigerant permutation.
			More than 90 refrigerants data including R22、R32、R600、R1234yf、R410A、R134A etc in manifold.